

BATAVIA

MAXXPACK 18 V

Cordless sliding mitre saw

Akku-Zug-Kapp-Gehrungssäge

Scie à onglet radiale sans fil

Accu radiaal afkort- en verstekzaag

Troncatrice radiale senza fili

Sierra ingletadora deslizante inalámbrica

Serra meia-esquadria deslizante sem fios

Bezprzewodowa piła ukosowa z funkcją przesuwu

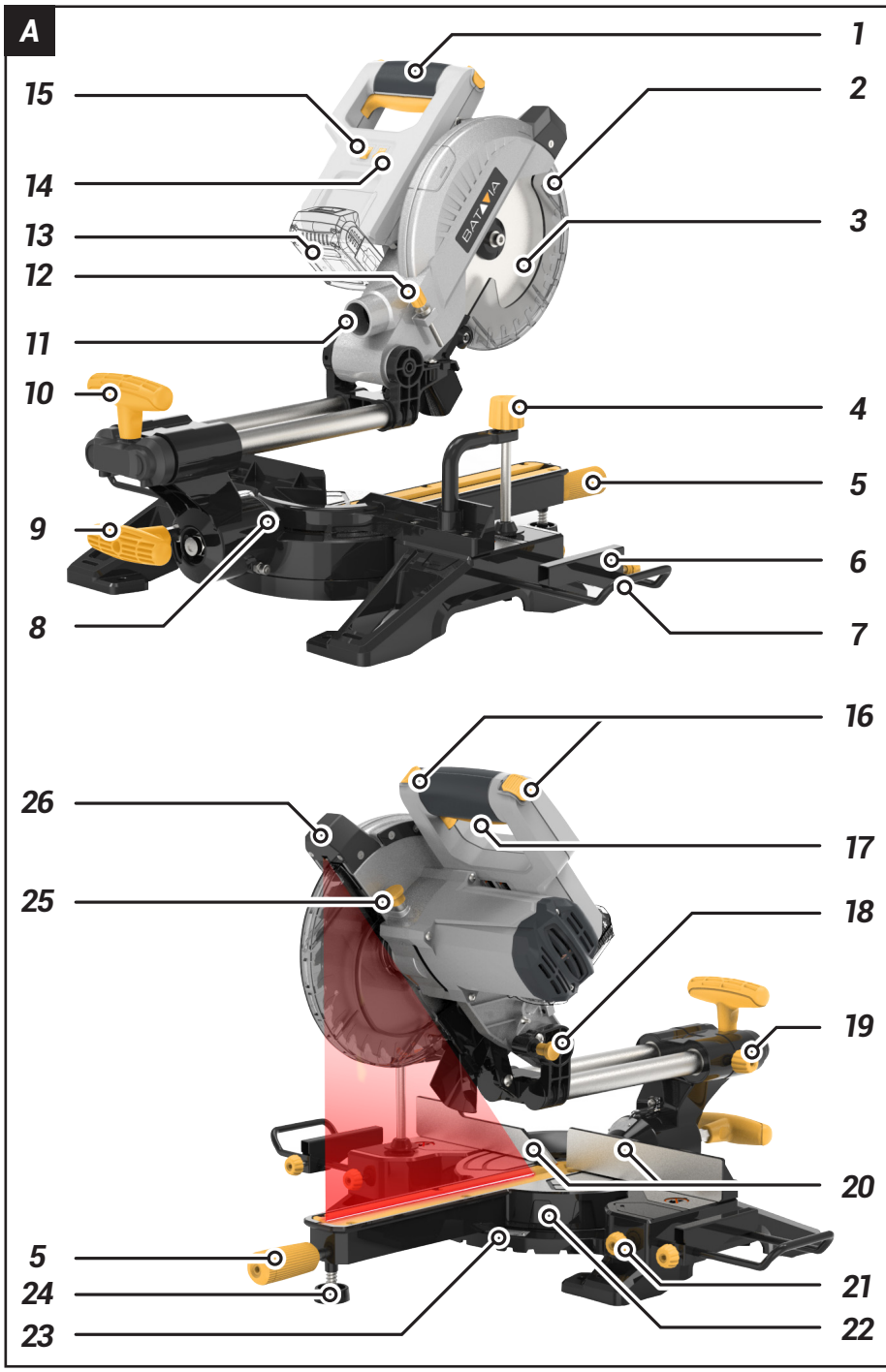


Operating instructions
Bedienungsanleitung (Original)
Mode d'emploi
Gebruiksaanwijzing
Istruzioni di Funzionamento
Manual de usuario
Instruções de funcionamento
Instrukcja

Model: BT-CMS001

Item-No.: 7063453

www.batavia.eu



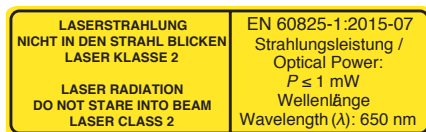
Overview

1. Main handle
2. Saw blade guard
3. Saw blade
4. Workpiece clamp
5. Mitre position lock knob
6. Workpiece stop
7. Workpiece support
8. Bevel angle indicator
9. Bevel position lock knob
10. Carrying handle
11. Dust extraction flange
12. Depth of cut adjustment
13. Battery slot
14. Laser ON/OFF switch
15. LED worklight ON/OFF switch
16. Safety catch
17. ON/OFF switch
18. Saw head locking pin
19. Sliding lock screw
20. Rear fence
21. Work support lock screw
22. Turn table
23. Mitre angle indicator
24. Support foot
25. Spindle lock button
26. LED worklight and laser

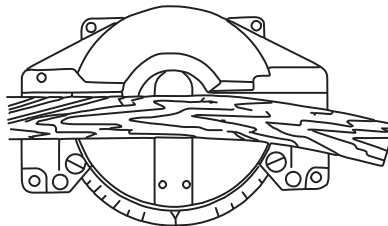
Übersicht

1. Hauptgriff
2. Schutzhaube des Sägeblattes
3. Sägeblatt
4. Werkstückklemme
5. Drehknopf der Gehrungseinstellung
6. Werkstückanschlag
7. Werkstückstütze
8. Zeiger des Fasenwinkels
9. Drehknopf der Fasenwinkel-verstellung
10. Tragegriff
11. Staubabsaugflansch
12. Schnitttiefeinstellung
13. Akkuaufnahme
14. Laser EIN/AUS Schalter
15. EIN/AUS Schalter der LED Arbeitsleuchte
16. Sicherheitstasten
17. EIN/AUS Schalter
18. Verriegelungsstift des Sägekopfes
19. Zugklemmschraube
20. Hinterer Anschlag
21. Klemmschraube der Werkstückstütze
22. Drehtisch
23. Zeiger der Gehrungseinstellung
24. Stützfuß
25. Wellensperre
26. LED Arbeitsleuchte und Laser

B



C



Aperçu

1. Poignée principale
2. Protecteur de lame de scie
3. Lame de scie
4. Pince de serrage de la pièce
5. Bouton de verrouillage de la position d'onglet
6. Butée de la pièce
7. Support de la pièce
8. Indicateur de l'angle de biseau
9. Bouton de verrouillage de la position de biseau
10. Poignée de transport
11. Bride d'aspiration de poussière
12. Réglage de la profondeur de coupe
13. Emplacement pour pile
14. Commutateur laser MARCHE/ARRÊT
15. Interrupteur MARCHE/ARRÊT de la lampe de travail à LED
16. Verrou de sécurité
17. Commutateur MARCHE/ARRÊT
18. Broche de verrouillage pour tête de scie
19. Vis de verrouillage coulissant
20. Guide arrière
21. Vis de verrouillage du support de la pièce
22. Table tournante
23. Indicateur de l'angle d'onglet
24. Pied d'appui
25. Bouton de verrouillage de la broche
26. Lampe de travail à LED et laser

Overzicht

1. Hoofdhandgreep
2. Beschermkap zaagblad
3. Zaagblad
4. Werkstukkleem
5. Vergrendelknop afkortstand
6. Stop voor werkstuk
7. Werkstuksteun
8. Schuine hoekindicator
9. Vergrendelknop schuine stand
10. Draaghandgreep
11. Flens voor stofafzuiging
12. Afstelling zaagdiepte
13. Sleuf voor accu
14. Aan-/uitschakelaar laser
15. Aan-/uitschakelaar led-werkverlichting
16. Veiligheidspal
17. Aan-/uitschakelaar
18. Vergrendelpen zaagkop
19. Borgschroef schuiven
20. Achterste stuitplaat
21. Borgschroef werksteun
22. Draaitafel
23. Indicator afkorthoek
24. Steunvoet
25. Spindelvergrendelknop
26. Led-werkverlichting en laser

Panoramica

1. Impugnatura principale
2. Protezione della lama
3. Lama
4. Morsetto di fissaggio del pezzo da lavorare
5. Manopola di blocco della posizione della troncatrice
6. Fermo del pezzo da lavorare
7. Supporto del pezzo da lavorare
8. Indicatore dell'angolo di smussatura
9. Manopola di blocco della posizione di smussatura
10. Maniglia per il trasporto
11. Flangia di aspirazione della polvere
12. Regolazione della profondità di taglio
13. Slot per batteria
14. Interruttore di accensione/spegnimento del laser
15. Interruttore di accensione/spegnimento della luce da lavoro LED
16. Fermo di sicurezza
17. Interruttore accensione/spegnimento
18. Perno di bloccaggio della testa della sega
19. Vite di bloccaggio scorrevole
20. Barriera posteriore
21. Vite di bloccaggio del supporto di lavoro
22. Base girevole
23. Indicatore dell'angolo di troncatrice
24. Piede di supporto
25. Pulsante di blocco del mandrino
26. Luce da lavoro LED e laser

Resumen

1. Empuñadura principal
2. Protector de la hoja de sierra
3. Hoja de sierra
4. Sargento para la pieza de trabajo
5. Clavija de bloqueo de la posición del inglete
6. Tope para la pieza de trabajo
7. Soporte para la pieza de trabajo
8. Calibrador del ángulo de bisel
9. Clavija de bloqueo de la posición del bisel
10. Empuñadura de transporte
11. Base de acople para la extracción de polvo
12. Ajuste de la profundidad del corte
13. Ranura para la batería
14. Interruptor de encendido/apagado del láser
15. Interruptor de encendido/apagado de la lámpara led de trabajo
16. Cierre de seguridad
17. Interruptor de encendido/apagado
18. Seguro del cabezal de la sierra
19. Tornillo de bloqueo del deslizamiento
20. Pantalla trasera
21. Tornillo de bloqueo del soporte de trabajo
22. Placa giratoria
23. Calibrador del ángulo en inglete
24. Pie de apoyo
25. Seguro del eje
26. Lámpara led de trabajo y láser

Visão geral

1. Pega principal
2. Guarda da lâmina de serra
3. Lâmina da serra
4. Fixador da peça de trabalho
5. Manípulo de bloqueio da posição de chanfro
6. Batente da peça de trabalho
7. Suporte da peça de trabalho
8. Indicador do ângulo de biselado
9. Manípulo de bloqueio da posição de biselado
10. Pega de transporte
11. Flange de extração de pó
12. Ajuste da profundidade de corte
13. Ranhura da bateria
14. Interruptor de ligar/desligar de laser
15. Interruptor de ligar/desligar da luz de trabalho LED
16. Base de segurança
17. Interruptor de LIGAR/DESLIGAR
18. Pino de bloqueio da cabeça da serra
19. Parafuso de bloqueio deslizante
20. Barreira traseira
21. Parafuso de bloqueio de suporte de trabalho
22. Mesa giratória
23. Indicador do ângulo de chanfro
24. Base de apoio
25. Botão de bloqueio do fuso
26. Luz de trabalho LED e laser

Przeгляд

1. Uchwyt główny
2. Osłona tarczy piły
3. Tarcza piły
4. Zacisk obrabianego przedmiotu
5. Pokrętko blokady ustawienia skosu
6. Ogranicznik obrabianego przedmiotu
7. Wspornik obrabianego przedmiotu
8. Wskaźnik kąta ukosu
9. Pokrętko blokady ustawienia ukosu
10. Uchwyt do przenoszenia
11. Kołnierz odprowadzania pyłu
12. Regulacja głębokości cięcia
13. Gniazdo akumulatora
14. Włącznik lasera
15. Włącznik roboczej lampki LED
16. Zapadka bezpieczeństwa
17. Włącznik/wyłącznik
18. Kołek blokady głowicy piły
19. Śruba blokady przesuwu
20. Tylna prowadnica
21. Śruba blokująca wspornik obrabianego przedmiotu
22. Stół obrotowy
23. Wskaźnik kąta skosu
24. Podpórka pomocnicza
25. Przycisk blokady wrzeciona
26. Lampka robocza LED i laser

Contents

1. Explanation of the symbols	9
2. Additional safety warnings	9
3. Special safety notes for crosscut and mitre saws	9
4. Safety instructions for mitre saws	10
5. Before the first use	11
6. Contents of packing	11
7. Intended use	12
8. Assembly and adjusting instructions	12
9. Use	13
10. Cleaning and maintenance	14
11. Technical data	14
12. Disposal	14
13. EC-Declaration of conformity	15

Inhaltsverzeichnis

1. Erläuterung der Symbole	16
2. Zusätzliche Sicherheitshinweise	16
3. Spezifische Sicherheitshinweise für Kapp- und Gehrungssägen	17
4. Spezielle Sicherheitshinweise	17
5. Vor der ersten Benutzung	19
6. Verpackungsinhalt	19
7. Bestimmungsgemäßer Gebrauch	19
8. Zusammenbau	19
9. Gebrauch	20
10. Reinigung und Wartung	22
11. Technische Daten	22
12. Entsorgung	22
13. EG-Konformitätserklärung	22

Table des matières

1. Explication des symboles	23
2. Avertissements de sécurité additionnels	23
3. Avertissements spécifiques pour les scies à tronçonner et à onglets	24
4. Consignes de sécurité particulières	24
5. Avant la première utilisation	26
6. Contenus de l'emballage	26
7. Utilisation prévue	26
8. Instructions de montage et de réglage	26
9. Utilisation	27
10. Nettoyage et maintenance	29
11. Caractéristiques techniques	29
12. Élimination et recyclage	29
13. CE-Déclaration de conformité	30

Inhoudsopgave

1. Uitleg van de symbolen	31
2. Aanvullende veiligheidsvoorschriften	31
3. Speciale veiligheidsaanwijzingen voor afkortzagen	32
4. Speciale veiligheidsvoorschriften	32
5. Voor het eerste gebruik	34
6. Inhoud van de verpakking	34
7. Beoogd gebruik	34
8. Instructies voor montage en afstelling	34
9. Gebruik	35
10. Reiniging en onderhoud	36
11. Technische gegevens:	37
12. Afvalverwerking en hergebruik	37
13. EG-Conformiteitsverklaring	37

Contenuto

1. Spiegazione dei simboli	38
2. Ulteriori avvertenze di sicurezza	38
3. Note specifiche per un uso sicuro delle troncatrici radiali e delle seghe circolari.	39
4. Istruzioni di sicurezza per le troncatrici radiali	39
5. Operazioni preliminari al primo uso del prodotto	41
6. Contenuto della confezione	41
7. Destinazione d'uso	41
8. Istruzioni di montaggio e regolazione	41
9. Uso	42
10. Pulizia e manutenzione	44
11. Dati tecnici	44
12. Smaltimento	44
13. Dichiarazione di conformità CE.	45

Índice

1. Explicación de los símbolos.	46
2. Advertencias de seguridad adicionales.	46
3. Instrucciones especiales de seguridad relativas a las sierras tronadoras y las sierras ingletadoras	47
4. Instrucciones de seguridad en materia de sierras ingletadoras.	47
5. Antes de usar por primera vez	49
6. Contenido del paquete	49
7. Uso previsto	49
8. Instrucciones de ensamblaje y ajuste	49
9. Uso	50
10. Limpieza y mantenimiento	52
11. Datos técnicos	52
12. Eliminación	52
13. Declaración CE de conformidad	53

Índice

1. Explicação dos símbolos	54
2. Avisos de segurança adicionais	54
3. Notas de segurança especiais para serras de traçar e meia-esquadria	55
4. Instruções de segurança para serras meia-esquadria	55
5. Antes da primeira utilização.	57
6. Conteúdo da embalagem	57
7. Utilização prevista	57
8. Montagem e instruções de ajuste	57
9. Utilização	58
10. Limpeza e manutenção	60
11. Dados técnicos	60
12. Eliminação	60
13. Declaração de conformidade CE	61

Spis treści

1. Objasnienie symboli	62
2. Dodatkowe zalecenia dotyczące bezpieczeństwa	62
3. Specjalne środki ostrożności dotyczące pił poprzecznych i ukosowych.	63
4. Zalecenia dotyczące bezpiecznego korzystania z pił ukosowych	63
5. Przed pierwszym użyciem	65
6. Zawartość opakowania	65
7. Przeznaczenie.	65
8. Instrukcja montażu i regulacji	65
9. Sposób użycia.	66
10. Czyszczenie i konserwacja	68
11. Dane techniczne	68
12. Utylizacja	68
13. Deklaracja zgodności z wymogami UE.	69

Dear customer

Please familiarize yourself with the proper usage of the device by reading and following each chapter of this manual, in the order presented. Keep these operating instructions for further reference.

Please read the enclosed "General safety instructions for power tools" and all additional safety instructions in this operating instructions!

This manual contains important information on operating and handling the device. Keep these operating instructions for further reference. Please pass it on along with the unit if it is handed over to a third party.

Battery and charger not included!

The battery is available separately under art. No: 7062518 (4Ah). The charger is available separately under art. No: 7063630 (1.65A) or 7063554 (4A).

These items are available online and in participating stores.

1. Explanation of the symbols

The following symbols are used in the user manual or on the product:



Warning! To reduce the risk of injury, the user must read the instruction manual.



Denotes risk of personal injury, loss of life or damage to the tool in case of non-observance of the instructions in this manual.



Always wear hearing protection. The effects of noise can cause hearing loss.



Wear a dust mask. When working with wood and other materials, harmful dust may be generated.

Work with asbestos containing materials is not permitted!



Wear safety glasses. When working with electric power tools, sparks, splinters, chips and dust particles may be generated and these can cause loss of sight.



Caution: Laser beam! Do not look directly into the laser beam. Do not point the laser beam at humans or animals.



CE stands for "Conformité Européenne", which means "In accordance with EU Regulations". With the CE marking, the manufacturer confirms that this Electric tool complies with the applicable European directives.



Do not dispose of electric power tools with domestic refuse.

2. Additional safety warnings



Please note the included General Safety Notes and the following safety notes to avoid malfunctions, damage or physical injury:

- 2.1 Please read this manual carefully and use the unit only according to this manual.
- 2.2 (See **Fig. B**) Never point the laser at persons or animals. At every time hold the unit in that way that the laser beam is directed to radiate away from the body. Never stare into the laser beam. It can cause severe eye injuries. Do not point the laser at mirrors or other strongly reflecting surfaces. The uncontrolled deflected beam may hit persons or animals.
- 2.3 The unit is not a toy and does not belong in the hands of children. Never leave the unit unsupervised when in use. Keep it out of reach of children or persons in need of supervision. Children should be supervised to ensure that they do not play with the unit.
- 2.4 Persons with limited physical, sensorial or mental abilities are not allowed to use the machine, unless they are supervised and briefed for their safety by a qualified person.
- 2.5 Should the unit become damaged do not use it any further and have it repaired by a professional or contact our customer service. Do not disassemble the unit or try repairing it yourself.

3. Special safety notes for crosscut and mitre saws

- 3.1 Always use the correct saw blade for the material you intend to cut.

- 3.2 Do not use damaged or warped saw blades.
- 3.3 Worn base plate inserts must be replaced.
- 3.4 Use only saw blades which are recommended by the manufacturer and correspond to EN 847-1. Do not use HSS saw blades.
- 3.5 If necessary, wear suitable protective equipment. These are ear protection, safety goggles, a dust mask and gloves to protect your hands when handling saw blades or coarse materials. (Saw blades must, whenever possible, be carried in a container). Please keep in mind that wearing Gloves while operating the saw is a safety risk and should not be done.
- 3.6 When cutting wood, always connect the mitre saw to a dust extractor.
- 3.7 Keep your hands and other body parts away from the rotating saw blade.
- 3.8 Secure all work pieces with the screw clamp on the saw.
- 3.9 Before starting a cut, lock the mobile base plate and the pivoting arm.
- 3.10 The ground around the machine should be even, clean and free from debris such as scrap pieces.
- 3.11 Use only sharp, straight saw blades in good condition. Please observe the maximum revolution speed of the saw blade.
- 3.12 Do not reach unto the working area to remove pieces or for any other reason while the machine is running and the saw assembly is not locked into the resting position.
- 3.13 Make sure the machine is, if possible, solidly mounted or clamped to a workbench or table.
- 3.14 Long work pieces should by all means be supported with an additional support such as a roller support.
- 3.15 Make sure there are no nails, screws or similar items in the work piece.
- 3.16 Periodically check all nuts, bolts and other fixings and tighten where necessary.

4. Safety instructions for mitre saws

- a. **Mitre saws are intended to cut wood or wood-like products, they cannot be used with abrasive cut-off wheels for cutting ferrous material such as bars, rods, studs, etc.** Abrasive dust causes moving parts such as the lower guard to jam. Sparks from abrasive cutting will burn the lower guard, the kerf insert and other plastic parts.
- b. **Use clamps to support the workpiece whenever possible. If supporting the workpiece by hand, you must always keep your hand at least 100 mm from either side of the saw blade. Do not use this saw to cut pieces that are too small to be securely clamped or held by hand.** If your hand is placed too close to the saw blade, there is an increased risk of injury from blade contact.
- c. **The workpiece must be stationary and clamped or held against both the fence and the table. Do not feed the workpiece into the blade or cut "free-hand" in any way.** Unrestrained or moving workpieces could be thrown at high speeds, causing injury.
- d. **Push the saw through the workpiece. Do not pull the saw through the workpiece. To make a cut, raise the saw head and pull it out over the workpiece without cutting, start the motor, press the saw head down and push the saw through the workpiece.** Cutting on the pull stroke is likely to cause the saw blade to climb on top of the workpiece and violently throw the blade assembly towards the operator.
- e. **Never cross your hand over the intended line of cutting either in front or behind the saw blade.** Supporting the workpiece "cross handed" i.e. holding the workpiece to the right of the saw blade with your left hand or vice versa is very dangerous.
- f. **Do not reach behind the fence with either hand closer than 100 mm from either side of the saw blade, to remove**

- wood scraps, or for any other reason while the blade is spinning.** The proximity of the spinning saw blade to your hand may not be obvious and you may be seriously injured.
- g. Inspect your workpiece before cutting. If the workpiece is bowed or warped, clamp it with the outside bowed face toward the fence. Always make certain that there is no gap between the workpiece, fence and table along the line of the cut.** Bent or warped workpieces can twist or shift and may cause binding on the spinning saw blade while cutting. There should be no nails or foreign objects in the workpiece.
 - h. Do not use the saw until the table is clear of all tools, wood scraps, etc. except for the workpiece.** Small debris or loose pieces of wood or other objects that contact the revolving blade can be thrown with high speed.
 - i. Cut only one workpiece at a time.** Stacked multiple workpieces cannot be adequately clamped or braced and may bind on the blade or shift during cutting.
 - j. Ensure that the mitre saw is mounted or placed on a level, firm work surface before use.** A level and firm work surface reduces the risk of the mitre saw becoming unstable.
 - k. Plan your work. Every time you change the bevel or mitre angle setting, make sure the adjustable fence is set correctly to support the workpiece and will not interfere with the blade or the guarding system.** Without turning the tool "ON" and with no workpiece on the table, move the saw blade through a complete simulated cut to assure there will be no interference or danger of cutting the fence.
 - l. Provide adequate support such as table extensions, saw horses, etc. for a workpiece that is wider or longer than the table top.** Workpieces longer or wider than the mitre saw table can tip if not securely supported. If the cut-off piece or workpiece tips, it can lift the lower guard or be thrown by the spinning blade.
 - m. Do not use another person as a substitute for a table extension or as additional support.** Unstable support for the workpiece can cause the blade to bind or the workpiece to shift during the cutting operation pulling you and the helper into the spinning blade.
 - n. The cut-off piece must not be jammed or pressed by any means against the spinning saw blade.** If confined, i.e. using length stops, the cut-off piece could get wedged against the blade and thrown violently.
 - o. Always use a clamp or a fixture designed to properly support round material such as rods or tubing.** Rods have a tendency to roll while being cut, causing the blade to "bite" and pull the work with your hand into the blade.
 - p. Let the blade reach full speed before contacting the workpiece.** This will reduce the risk of the workpiece being thrown.
 - q. If the workpiece or blade becomes jammed, turn the mitre saw off. Wait for all moving parts to stop and disconnect the plug from the power source and/or remove the battery pack. Then work to free the jammed material.** Continued sawing with a jammed workpiece could cause loss of control or damage to the mitre saw.
 - r. After finishing the cut, release the switch, hold the saw head down and wait for the blade to stop before removing the cut-off piece.** Reaching with your hand near the coasting blade is dangerous.
- ## 5. Before the first use
- Remove the machine and all accessories from the package. Keep the packaging materials out of the reach of small children. There is a danger of suffocation!
- ## 6. Contents of packing
- 1× Cordless sliding mitre saw
 - 1× Dust collection bag
 - 1× 216mm 48 teeth saw blade (assembled)
 - 2× Sets extension bars
 - 1× Instruction manual

7. Intended use

The Mitre Saw is intended as a machine for making straight cuts in wood, without the need for a main power supply. It is possible to cut mitre angles of -45° to $+45^{\circ}$ and bevel angles of 0° to 45° . The Mitre Saw is designed with sufficient capacity for sawing hardwood and softwood.

8. Assembly and adjusting instructions

8.1 Assembly

Insert the workpiece supports (7) into the holes on either side of the mitre saw. Tighten the workpiece support lock screws (21) to lock the work supports in position. Check that the supports are firmly held. The mitre saw is delivered with a saw blade.

8.2 Operation

The mitre saw must be secured to a workbench or saw table. Check all covers and safety devices have been properly fitted and are operational.

Check the saw head is not locked and is free to move. If not free, disengage sliding locking screw (19) and head down locking pin (18). Before inserting the battery (13) check that the saw blade (3) is free to rotate.

8.3 Dust extraction

The saw dust collection bag or suitable saw dust extraction system must be connected to the saw dust extraction port (11).

8.4 Inserting and removing the battery pack

Warning: Before inserting or removing the battery pack, make sure the mitre saw is switched off.

Please note that the saw will only work correctly with the 4.0 Ah Battery.

Slide the battery pack into battery slot at the rear of the saw head. To insert the battery pack, align the battery pack with the battery base at the rear of the saw head and slide the battery pack into the saw so that the battery pack is locked in position.

To remove the battery pack, press the battery's release button and pull the battery pack off at the same time.

8.5 Laser beam

Warning! Laser radiation! Observe the safety notes! Laser class 2. The laser beam is used to show the position of the cut on the work-piece. It can be turned on or off using the switch (14) on the top of the saw body.

8.6 Led worklight

To provide additional lighting of the work-piece the saw has a built-in LED worklight. It can be turned on or off using the switch (15) on the top of the saw body.

8.7 Setting the cutting angles

Warning! Before making any adjustments to the settings, check that the battery has been removed to prevent accidental starting.

After setting the angles always perform test cuts.

8.8 Setting the mitre angle

The mitre angle is left/right steplessly variable between 0° and 45° . To set the mitre angle loosen the mitre position lock knob (5). Rotate the table and set the required mitre angle using the scale of the mitre angle indicator (23). Tighten the mitre position lock knob (5).

8.9 Setting the bevel angle

The bevel angle is steplessly variable between 0° and 45° . To set the bevel Angle and loosen the bevel position lock knob (9). Tilt the cutting head to the desired required bevel angle using the scale of the bevel angle indicator (8). Tighten the bevel position lock knob (9).

8.10 Setting cutting depth

The cutting depth can be adjusted if required. To do so, set the sliding lock piece to the forward position, so the depth of cut adjustment screw (12) makes contact with it when the saw head is pressed down. Loosen the locking nut on the depth of cut adjustment screw (12). Gently lower the saw head to desired cutting depth. Adjust the screw up or down for the desired depth of cut. Re-tighten the locking nut on the depth of cut adjustment (12).

9. Use

9.1 Cutting

Ensure a 4.0 Ah battery is charged and is fitted correctly.

Secure the workpiece with the clamp (4). Carefully stay away from the spinning saw blade. Make sure the saw blade cannot touch any of the fences and adjust the fences if necessary.

If you intend to cut a curved work piece, make sure the work piece is not bent against the fence. (See Fig. C.) Make sure no gap forms between the work piece, the fence and the base plate.

Long workpieces must be supported in a suitable way, e.g. on a support equipped with rollers. Avoid holding or guiding workpieces in a way which compromises your balance.

To cut, press one of the safety catches (16) and operate the ON/OFF switch (17). Allow the saw blade to reach full speed before gently pressing down the head of the saw. When the machine has reached full speed, press down the upper part of the saw by the handle. Whenever possible, cut through the workpiece with a single, even motion. Irregularly shaped workpieces can cause the upper part to kick back up unexpectedly, therefore hold the handle with a firm grip. To stop the saw, release the ON/OFF switch (17).

9.2 Compound cuts

Compound cuts can be made by setting any combination of mitre, bevel and cutting depth at the same time.

9.3 Drop cuts

Warning! Make sure the workpiece is firmly clamped down to the base plate and is supported against the rear fence (20) before cutting.

This cut is used where the width of the workpiece is narrower than the cutting width of the blade at the rearmost position. Push the saw head back toward the guide fence (20) fully and tighten the sliding lock screw (19).

Turn the saw ON and wait for the blade to reach full speed. Gently lower the saw head

towards the workpiece until the cut is achieved. Do not force the blade. After completion of the cut, turn the saw OFF.

9.4 Sliding cuts

Warning! Make sure the workpiece is firmly held or clamped down to the turn table (22) and is supported against the rear fence (20) before cutting.

Warning! A warped or irregular workpiece may pinch the saw blade while being cut and cause kickback. Check that the workpiece is always evenly supported against the rear fence (20).

This cut is used where the width of the workpiece is wider than the cutting width of the blade at the rearmost position.

Check that the saw is in the rearmost position and check that the sliding lock screw (19) is not engaged.

With the saw head in the up position, draw the saw head out so it clears the workpiece. Turn the saw ON and wait for the blade to reach full speed. Gently lower the saw head towards the workpiece until the depth of cut is achieved. Do not force the blade. Once the depth of cut is achieved hold the saw head at this depth and push the saw head towards the rearmost position to complete the cut. Do not force the blade. After completion of the cut, turn the saw OFF.

9.5 Replacing the saw blade

Warning! Before replacing the saw blade always remove the battery. Only use saw blades with a speed rating of 4200 rpm or greater. Make sure that the spindle diameter and the saw blade bore match. Only use sharp and undamaged saw blades. Cracked or bent saw blades must be replaced immediately.

Warning! Even used saw blades are sharp. There is a risk of cuts while handling them. Handle saw blades carefully.

Make sure that the battery has been removed.

Place the head of the machine in its highest position. Manually retract the lower guard to expose the saw blade. Depress and hold the spindle lock button (25) whilst rotating the saw blade by hand until the spindle lock button fully engages.

While keeping the spindle lock depressed, place the supplied hex spanner onto the spindle screw. Loosen the spindle screw and remove it by turning it clockwise. Open the saw blade cover manually and remove the outer flange, the old saw blade, and the inner flange.

Clean the flanges with a piece of cloth. Refit the inner flange. Fit the new saw blade with the direction arrow corresponding to the arrow on the housing. Refit the outer flange, insert the spindle screw and finger tighten. Depress and hold the spindle lock button whilst rotating the saw blade by hand until the spindle lock button fully engages. Re-tighten the spindle screw using the supplied hex wrench by turning it counter-clockwise.

Check the operation of all guards and make sure the saw blade is tight and is running free and true.

9.6 Carrying handle

The saw is equipped with a carrying handle (10). When carrying the saw secure the saw head in its lowered position with the locking pin (18).

10. Cleaning and maintenance

10.1 Cleaning

- Keep safety devices, ventilation openings and the motor housing as free as possible from dirt and dust. Rub the electric power tool with a clean cloth or blow over it with low pressure compressed air.
- We recommend that you clean your electric power tool immediately after each use.
- Clean the electric power tool regularly with a damp cloth and somewhat soft soap. Do not use any cleaning or solvent materials; these can attack the device's plastic components. Make sure that no water can get inside the electric power tool.
- Remove the battery before undertaking any cleaning or maintenance work.

10.2 Maintenance

There are no inner parts of the tool which need maintenance.

11. Technical data

Battery voltage:	18 V Li-Ion
No load speed:	4200 min ⁻¹
Mitre angle:	0 – 45°
Bevel angle:	0 – 45°
Saw blade dimensions:	∅ 216 x 1.5 mm, centre hole 30 mm
Cutting capacity:	
	0°/ 0°: 62 x 305 mm
	0°/45°: 62 x 210 mm
	45°/0°: 30 x 305 mm
	45°/45°: 30 x 210 mm
Weight without battery:	12.8 kg
Weighted sound pressure level L _{PA} :	86.2 dB(A)
Uncertainty K _{PA} :	3 dB(A)
Weighted sound power level L _{WA} :	98.1 dB(A)
Uncertainty K _{WA} :	3 dB(A)

12. Disposal



Do not dispose of electric power tools with domestic refuse.

The electric power tool is shipped in packaging to reduce transport damage.

This packaging is a raw material and as such can either be reused or can be fed back into the raw material cycle. The electric power tool and its accessories are made from various materials such as metals and plastics. Take defective components to a special refuse collection point. Ask about these at your specialist shop or local council.

12.1 Batteries

Think of the environment when disposing of batteries. Contact your local authorities to find out where your nearest disposal area is. Do not dispose of batteries with domestic refuse. Do not dispose of by burning, risk of explosion.

13. EC-Declaration of conformity

We, the **Batavia B.V., Weth. Wassebaliestraat 6d, NL-7951 SN Staphorst**, declare by our own responsibility that the product **Cordless sliding mitre saw, Item-No 7063453, Model Nr. BT-CMS001** is according to the basic requirements, which are defined in the European Directives **Electromagnetic Compatibility 2014/30/EU (EMC), 2006/42/EC (Machinery), RoHS: 2011/65/EU** and their amendments. For the evaluation of conformity, the following harmonized standards were consulted:

EN 62841-1:2015+AC

EN 62841-3-9:2015+AC

AfPS GS 2019:01

EN 55014-1:2006+A1+A2

EN 55014-2:1997+AC+A1+A2

Staphorst, 7 juli 2021



Meino Seinen, QA Representative
Batavia B.V., Weth. Wassebaliestraat 6d,
7951 SN Staphorst, Netherlands

The product and the user manual may be subject to changes. Technical data may be changed without prior notice.

Sehr geehrte Damen und Herren

Bitte machen Sie sich in der Reihenfolge der Kapitel mit dem Gerät vertraut und bewahren Sie diese Bedienungsanleitung für spätere Zwecke gut auf.

Lesen Sie bitte die beigefügten "Allgemeine Sicherheitshinweise für Elektrowerkzeuge" und alle weiteren Sicherheitshinweise in dieser Betriebsanleitung!

Diese Bedienungsanleitung enthält wichtige Hinweise zur Inbetriebnahme und Handhabung. Legen Sie die Anleitung dem Produkt bei, wenn Sie es an Dritte weitergeben.

Akku und Ladegerät sind nicht im Lieferumfang enthalten!

Der Akku ist separat erhältlich unter der Artikel-Nr.: 7062518 (4Ah). Das Ladegerät ist separat erhältlich unter der Artikel-Nr.: 7063630 (1.65A) oder 7063554 (4A).

Diese Produkte sind online und in teilnehmenden Geschäften verfügbar.

1. Erläuterung der Symbole

Folgende Symbole werden im Benutzerhandbuch oder auf dem Produkt verwendet:



WARNUNG - Zur Verringerung des Verletzungsrisikos Bedienungsanleitung lesen.



Allgemeines Warnzeichen – Seien Sie aufmerksam und beachten Sie allgemeine Gefahren.



Tragen Sie immer einen Gehörschutz. Die Einwirkung von Lärm kann Hörverlust bewirken.



Tragen Sie eine Staubschutzmaske. Beim Bearbeiten von Holz und anderen Materialien kann gesundheitsschädlicher Staub entstehen. Asbesthaltiges Material darf nicht bearbeitet werden!



Tragen Sie eine Schutzbrille. Während der Arbeit entstehende Funken oder aus dem Elektrowerkzeug heraustretende Splinter, Späne und Stäube können Sichtverlust bewirken.



Vorsicht: Laserstrahl! Schauen Sie nicht direkt in den Laserstrahl. Richten Sie den Laserstrahl nicht auf Personen oder Tiere.



CE steht für „Conformité Européenne“, dies bedeutet „Übereinstimmung mit EU Richtlinien“. Mit der CE Kennzeichnung bestätigt der Hersteller, dass dieses Elektrowerkzeug den geltenden europäischen Richtlinien entspricht.



Nicht in den Hausmüll entsorgen!

2. Zusätzliche Sicherheitshinweise



Beachten Sie bitte zur Vermeidung von Fehlfunktionen, Schäden und gesundheitlichen Beeinträchtigungen die beigefügten Allgemeinen Sicherheitshinweise sowie folgende Hinweise:

- 2.1 Bitte lesen Sie diese Bedienungsanleitung aufmerksam durch und benutzen Sie das Gerät ausschließlich gemäß dieser Anleitung.
- 2.2 (Siehe **Abb. B**) Zielen Sie niemals mit dem Laser auf Personen oder Tiere. Halten Sie das Gerät stets so, dass der Laser vom Körper weg gerichtet abstrahlt. Blicken Sie niemals in den Laser. Schwere Augenschäden können die Folge sein. Richten Sie den Laser niemals auf Spiegel oder andere stark reflektierende Flächen. Der unkontrolliert abgelenkte Strahl könnte Personen oder Tiere treffen.
- 2.3 Das Gerät ist kein Spielzeug und gehört nicht in Kinderhände. Lassen Sie das eingeschaltete Gerät niemals unbeaufsichtigt und halten Sie es außerhalb der Reichweite von Kindern und von zu beaufsichtigenden Personen. Kinder sollten beaufsichtigt werden, um sicherzustellen, dass sie nicht mit dem Gerät spielen.
- 2.4 Personen mit eingeschränkten physischen, sensorischen oder geistigen Fähigkeiten dürfen das Gerät nicht benutzen, es sei denn, sie werden durch eine Betreuerin/einen Betreuer beaufsichtigt und unterwiesen.
- 2.5 Falls am Gerät Schäden auftreten, benutzen Sie das Gerät nicht mehr und lassen Sie es durch einen Fachmann

instand setzen oder wenden Sie sich an unsere Kundenbetreuung. Zerlegen Sie das Gerät nicht und unternehmen Sie keine eigenen Reparaturversuche.

3. Spezifische Sicherheitshinweise für Kapp- und Gehrungssägen

- 3.1 Wählen Sie ein für den zu schneidenden Werkstoff geeignetes Sägeblatt.
- 3.2 Verwenden Sie keine beschädigten oder deformierten Sägeblätter.
- 3.3 Tauschen Sie einen abgenutzten Tischeinsatz aus.
- 3.4 Nur Sägeblätter verwenden, die vom Hersteller empfohlen werden und EN 847-1 entsprechen. Keine aus Schnellarbeitsstahl gefertigten Sägeblätter verwenden.
- 3.5 Tragen geeignete Schutzausrüstung. Dies umfasst Gehörschutz, Schutzbrille, Atemschutz und Handschuhe beim Hantieren mit Sägeblättern und rauen Werkstoffen. (Sägeblätter müssen, wann immer praktikabel, in einem Behältnis getragen werden). Bitte beachten Sie, dass das Tragen von Handschuhen beim Betrieb der Säge ein Sicherheitsrisiko darstellt und nicht ratsam ist.
- 3.6 Beim Sägen von Holz ist die Säge an eine Staubauffangeinrichtung anzuschließen.
- 3.7 Halten Sie Ihre Hände und andere Körperteile von dem rotierenden Sägeblatt fern.
- 3.8 Sichern Sie Werkstücke immer mit der Klemmvorrichtung an der Säge.
- 3.9 Arretieren Sie vor dem Sägen den Drehtisch und auch die Einrichtung zum Schwenken des Armes.
- 3.10 Der Fußboden im Umkreis der Maschine sollte eben, sauber und frei von losen Partikeln, wie z. B. Spänen und Schnittresten, sein.
- 3.11 Verwenden Sie nur ordnungsgemäß geschärfte Sägeblätter. Die auf dem Sägeblatt angegebene Höchstdrehzahl ist einzuhalten.
- 3.12 Entfernen Sie keine Schnittreste oder sonstige Werkstückteile aus dem

Schnittbereich, so lange die Maschine läuft und das Sägeaggregat sich noch nicht in Ruhestellung befindet.

- 3.13 Achten Sie darauf, dass die Maschine, wenn irgend möglich, immer an einer Werkbank oder einem Tisch befestigt ist.
- 3.14 Stützen Sie lange Werkstücke immer mit einem zusätzlichen Materialständer z.B. einen Rollenbock ab.
- 3.15 Überprüfen Sie das Werkstück vor dem Sägen auf Nägel, Schrauben oder andere Fremdkörper.
- 3.16 Überprüfen Sie in regelmäßigen Abständen sämtliche Schrauben, Muttern und anderen Befestigungselemente auf festen Sitz und ziehen Sie sie bei Bedarf an.

4. Spezielle Sicherheitshinweise

- a. **Gehrungskappsägen sind zum Schneiden von Holz oder holzartigen Produkten vorgesehen, sie können nicht zum Schneiden von Eisenwerkstoffen wie Stäbe, Stangen, Schrauben usw. verwendet werden.** Abrasiver Staub führt zum Blockieren von beweglichen Teilen wie der unteren Schutzhaube. Schneidfunken verbrennen die untere Schutzhaube, die Einlegeplatte und andere Kunststoffteile.
- b. **Fixieren Sie das Werkstück nach Möglichkeit mit Zwingen. Wenn Sie das Werkstück mit der Hand festhalten, müssen Sie Ihre Hand immer mindestens 100 mm von jeder Seite des Sägeblatts entfernt halten. Verwenden Sie diese Säge nicht zum Schneiden von Stücken, die zu klein sind, um sie einzuspannen oder mit der Hand zu halten.** Wenn Ihre Hand zu nahe am Sägeblatt ist, besteht ein erhöhtes Verletzungsrisiko durch Kontakt mit dem Sägeblatt.
- c. **Das Werkstück muss unbeweglich sein und entweder festgespannt oder gegen den Anschlag und den Tisch gedrückt werden. Schieben Sie das Werkstück nicht in das Sägeblatt, und schneiden Sie nie „freihändig“.** Lose oder sich bewegende Werkstücke könn-

- ten mit hoher Geschwindigkeit herausgeschleudert werden und zu Verletzungen führen.
- d. **Schieben Sie die Säge durch das Werkstück. Vermeiden Sie es, die Säge durch das Werkstück zu ziehen. Für einen Schnitt heben Sie den Sägekopf und ziehen ihn über das Werkstück, ohne zu schneiden. Dann schalten Sie den Motor ein, schwenken den Sägekopf nach unten und drücken die Säge durch das Werkstück.** Bei ziehendem Schnitt besteht die Gefahr, dass das Sägeblatt am Werkstück aufsteigt und die Sägeblatteinheit dem Bediener gewaltsam entgegengeschleudert wird.
- e. **Kreuzen Sie nie die Hand über die vorgesehene Schnittlinie, weder vor noch hinter dem Sägeblatt.** Abstützen des Werkstücks „mit gekreuzten Händen“, d.h. Halten des Werkstücks rechts neben dem Sägeblatt mit der linken Hand oder umgekehrt, ist sehr gefährlich.
- f. **Greifen Sie bei rotierendem Sägeblatt nicht hinter den Anschlag. Unterschreiten Sie nie einen Sicherheitsabstand von 100 mm zwischen Hand und rotierendem Sägeblatt (gilt auf beiden Seiten des Sägeblatts, z.B. beim Entfernen von Holzabfällen).** Die Nähe des rotierenden Sägeblatts zu Ihrer Hand ist möglicherweise nicht erkennbar, und Sie können schwer verletzt werden.
- g. **Prüfen Sie das Werkstück vor dem Schneiden. Wenn das Werkstück gebogen oder verzogen ist, spannen Sie es mit der nach außen gekrümmten Seite zum Anschlag. Stellen Sie immer sicher, dass entlang der Schnittlinie kein Spalt zwischen Werkstück, Anschlag und Tisch ist.** Gebogene oder verzogene Werkstücke können sich verdrehen oder verlagern und ein Klemmen des rotierenden Sägeblatts beim Schneiden verursachen. Es dürfen keine Nägel oder Fremdkörper im Werkstück sein.
- h. **Verwenden Sie die Säge erst, wenn der Tisch frei von Werkzeugen, Holzabfällen usw. ist; nur das Werkstück darf sich auf dem Tisch befinden.** Kleine Abfälle, lose Holzstücke oder andere Gegenstände, die mit dem rotierenden Blatt in Berührung kommen, können mit hoher Geschwindigkeit weggeschleudert werden.
- i. **Schneiden Sie jeweils nur ein Werkstück.** Mehrfach gestapelte Werkstücke lassen sich nicht angemessen spannen oder festhalten und können beim Sägen ein Klemmen des Blatts verursachen oder verrutschen.
- j. **Sorgen Sie dafür, dass die Gehrungskappsäge vor Gebrauch auf einer ebenen, festen Arbeitsfläche steht.** Eine ebene und feste Arbeitsfläche verringert die Gefahr, dass die Gehrungskappsäge instabil wird.
- k. **Planen Sie Ihre Arbeit. Achten Sie bei jedem Verstellen der Sägeblattneigung oder des Gehrungswinkels darauf, dass der verstellbare Anschlag richtig justiert ist und das Werkstück abstützt, ohne mit dem Blatt oder der Schutzhaube in Berührung zu kommen.** Ohne die Maschine einzuschalten und ohne Werkstück auf dem Tisch ist eine vollständige Schnittbewegung des Sägeblatts zu simulieren, um sicherzustellen, dass es nicht zu Behinderungen oder der Gefahr des Schneidens in den Anschlag kommt.
- l. **Sorgen Sie bei Werkstücken, die breiter oder länger als die Tischoberseite sind, für eine angemessene Abstützung, z.B. durch Tischverlängerungen oder Sägeböcke.** Werkstücke, die länger oder breiter als der Tisch der Gehrungskappsäge sind, können kippen, wenn sie nicht fest abgestützt sind. Wenn ein abgeschnittenes Stück Holz oder das Werkstück kippt, kann es die untere Schutzhaube anheben oder unkontrolliert vom rotierenden Blatt weggeschleudert werden.
- m. **Ziehen Sie keine anderen Personen als Ersatz für eine Tischverlängerung oder zur zusätzlichen Abstützung heran.** Eine instabile Abstützung des Werkstücks kann zum Klemmen des

Blatts führen. Auch kann sich das Werkstück während des Schnitts verschieben und Sie und den Helfer in das rotierende Blatt ziehen.

- n. **Das abgeschnittene Stück darf nicht gegen das rotierende Sägeblatt gedrückt werden.** Wenn wenig Platz ist, z.B. bei Verwendung von Längsanschlüssen, kann sich das abgeschnittene Stück mit dem Blatt verkeilen und gewaltsam weggeschleudert werden.
- o. **Verwenden Sie immer eine Zwinde oder eine geeignete Vorrichtung, um Rundmaterial wie Stangen oder Rohre ordnungsgemäß abzustützen.** Stangen neigen beim Schneiden zum Wegrollen, wodurch sich das Blatt „festbeißen“ und das Werkstück mit Ihrer Hand in das Blatt gezogen werden kann.
- p. **Lassen Sie das Blatt die volle Drehzahl erreichen, bevor Sie in das Werkstück schneiden.** Dies verringert das Risiko, dass das Werkstück fortgeschleudert wird.
- q. **Wenn das Werkstück eingeklemmt wird oder das Blatt blockiert, schalten Sie die Gehrungskappsäge aus. Warten Sie, bis alle beweglichen Teile zum Stillstand gekommen sind, ziehen Sie den Netzstecker und/oder nehmen Sie den Akku heraus. Entfernen Sie anschließend das eingeklemmte Material.** Wenn Sie bei einer solchen Blockierung weitersägen, kann es zum Verlust der Kontrolle oder zu Beschädigungen der Gehrungskappsäge kommen.
- r. **Lassen Sie nach beendetem Schnitt den Schalter los, halten Sie den Sägekopf unten und warten Sie den Stillstand des Blatts ab, bevor Sie das abgeschnittene Stück entfernen.** Es ist sehr gefährlich, mit der Hand in die Nähe des auslaufenden Blatts zu reichen.

5. Vor der ersten Benutzung

Nehmen Sie das Gerät und alle Zubehörteile aus der Verpackung. Halten Sie die Verpackungsmaterialien von Kleinkindern fern. Es besteht Erstickungsgefahr!

6. Verpackungsinhalt

- 1× Akku-Zug-Kapp-Gehrungssäge
- 1× Staubbeutel
- 1× Sägeblatt (montiert) 216 mm, 48 Z
- 2× Sätze Verlängerungsstangen
- 1× Bedienungsanleitung

7. Bestimmungsgemäßer Gebrauch

Mit der Kapp- und Gehrungssäge können Zuschnitte von Balken und leisten und vielfältige andere Arbeiten unabhängig vom Stromnetz erledigt werden.

Gehrungswinkel von -45° bis +45° und Fasenwinkel von 0° bis 45° können gesägt werden. Die Kappsäge eignet sich zum Sägen von Hart- und Weichholz.

8. Zusammenbau

8.1 Zusammenbau

Setzen Sie die Werkstückstützen (7) in in die Löcher an den Seiten der Säge ein. Ziehen Sie die Klemmschrauben (21) der Stopper an um das Werkstück zu fixieren. Prüfen Sie, ob alle Teile fest sitzen.

Die Kapp- und Gehrungssäge wird mit Sägeblatt geliefert.

8.2 Betrieb

Die Säge muss sicher auf einer Werkbank oder einem Sägetisch befestigt werden. Überzeugen Sie sich, dass alle Abdeckungen und Sicherheitseinrichtungen korrekt abgebracht sind und ordnungsgemäß funktionieren.

Überzeugen Sie sich, dass der Sägekopf nicht verriegelt ist und sich frei bewegen kann. Falls der Kopf nicht frei ist lösen Sie die Zugsperrschraube (19) und den Verriegelungsstift (18) des Kopfes. Überzeugen Sie sich vor dem Einsetzen des Akkus (13) davon, dass das Sägeblatt (3) frei rotieren kann.

8.3 Staubabsaugung

Der Staubfangbeutel oder eine geeignete Staubabsaugungsanlage müssen mit dem Absaugflansch (11) verbunden werden.

8.4 Einsetzen und Entnehmen des Akkus

Achtung: Überzeugen Sie sich vor dem Einsetzen oder Entnehmen des Akkus davon, dass die Säge Ausgeschaltet ist.

Bitte beachten Sie, dass die Säge nur mit dem 4,0 Ah Akku korrekt funktioniert.

Schieben Sie den Akku in die Akkuaufnahme an der Rückseite des Sägekopfes. Richten Sie zum Einsetzen die passend zur Aufnahme aus und schieben Sie die Batterie ein, bis sie einrastet.

Zum entnehmen der Batterie drücken und halten Sie die Lösetaste an der Batterie und ziehen Sie die Batterie aus der Aufnahme.

8.5 Laser

Achtung! Laserstrahl! Beachten Sie die Sicherheitshinweise! Laserklasse 2.

Der Laser zeigt die Position des Schnittes im Werkstück an. Er kann mit dem Schalter (14) oben auf der Säge ein- und ausgeschaltet werden.

8.6 LED-Arbeitsleuchte

Zur zusätzlichen Beleuchtung des Werkstücks hat die Säge eine eingebaute LED Arbeitsleuchte. Diese kann mit dem Schalter (15) oben an der Säge ein- und ausgeschaltet werden.

8.7 Einstellen der Schnittwinkel

Achtung! Überzeugen Sie sich vor allen Einstellarbeiten davon, dass die Batterie entfernt ist, um ein versehentliches Anlaufen der Säge auszuschließen.

Führen Sie nach allen Einstellungen immer zunächst Probeschnitte aus.

8.8 Einstellen des Gehrungswinkels

Der Gehrungswinkel ist stufenlos von 0° bis 45° in beide Richtungen wählbar. Zum Einstellen des Gehrungswinkels lösen sie den Drehknopf (5) der Gehrungseinstellung. Drehen Sie den Tisch und stellen Sie den gewünschten Gehrungswinkel mittels der Skala und des Zeigers (23) ein. Ziehen Sie den Drehknopf (5) wieder an.

8.9 Einstellen des Fasenwinkels

Der Fasenwinkel ist stufenlos von 0° bis 45° wählbar. Zum Einstellen des Fasenwinkels lösen Sie den Drehknopf (9) der Fasenwinkelverstellung. Kippen Sie den Kopf der Säge bis der Zeiger (8) auf der Skala den gewünschten Fasenwinkel anzeigt. Ziehen Sie den Drehknopf (9) wieder an.

8.10 Einstellen der Schnitttiefe

Die Schnitttiefe kann nach Bedarf eingestellt werden. Ziehen Sie dazu das bewegliche Verriegelungsstück nach vorn, so dass die Schnitttiefeinstellschraube (12) darauf aufsetzen kann, wenn der Sägekopf heruntergedrückt wird. Lösen Sie die Kontermutter an der Einstellschraube (12). Senken Sie den Sägekopf zur gewünschten Schnitttiefe. Justieren Sie die Schraube zur gewünschten Schnitttiefe. Ziehen Sie danach die Kontermutter an der Einstellschraube (12) wieder an.

9. Gebrauch

9.1 Sägen

Überzeugen Sie sich davon, dass sich eine geladener 4,0 Ah Akku korrekt eingelegt in der Säge befindet.

Sichern Sie das Werkstück mit der Klemme (4). Achten Sie dabei darauf, dem rotierenden Sägeblatt nicht zu nahe zu kommen. Achten Sie beim Sägen eines gebogenen Werkstückes darauf, dass die Wölbung nie zum Anschlag hin oder vom Säge Tisch weg weist. (Siehe Abb. C.) Zwischen Anschlag, Säge Tisch und Werkstück darf kein Spalt entstehen.

Lange Werkstücke müssen in geeigneter Weise abgestützt werden, beispielsweise mit Rollenböcken. Vermeiden Sie es, Werkstücke in einer Weise zu halten und zu führen, die Ihren sicheren Stand beeinträchtigt. Um zu Sägen drücken Sie eine der Sicherheitstasten (16) und betätigen Sie den EIN/AUS Schalter (17). Wenn das Sägeblatt seine volle Rotationsgeschwindigkeit erreicht hat, drücken Sie den Sägekopf vorsichtig am Griff nach unten. Schneiden Sie, wann immer möglich, mit einem glatten Schnitt durch das Werkstück. Unregelmäßig geformte Werkstücke können zu einem unerwarteten Zurückschlagen des Sägekopfes führen, halten Sie daher den Griff stets sicher fest. Lassen Sie zum Anhalten der Säge den EIN/AUS Schalter (17) los.

9.2 Schifterschnitte

Kombinieren Sie zum Ausführen von Schifterschnitten die Einstellung von Gehrungswinkel, Fasenwinkel und Schnitttiefe.

9.3 Kappschnitte

Achtung! Sorgen Sie vor dem Sägen dafür, dass das Werkstück sicher auf der Grundplatte und gegen den hinteren Anschlag (20) festgeklemmt ist.

Dieser Schnitt wird verwendet wenn die Breite des Werkstückes kleiner ist als die vom Sägeblatt in der hintersten Position abgedeckte Breite. Drücken Sie das Sägeblatt bis zum Anschlag (20) und ziehen Sie die Zugklemmschraube (19) fest.

Schalten Sie die Säge EIN und warten Sie, bis das Sägeblatt volle Geschwindigkeit erreicht hat. Senken Sie den Sägekopf langsam in das Werkstück bis der Schnitt durchgeführt ist. Üben Sie keinen übermäßigen Druck aus. Schalten Sie, nachdem der Schnitt ausgeführt ist, die Säge aus.

9.4 Zugschnitte

Achtung! Sorgen Sie vor dem Sägen dafür, dass das Werkstück sicher auf der Grundplatte und gegen den hinteren Anschlag (20) festgeklemmt ist.

Achtung! Ein Verzogenes oder unregelmäßig geformtes Werkstück kann zum Klemmen des Sägeblattes und zum Zurückschlagen führen. Achten Sie darauf, dass das Werkstück immer sicher am hinteren Anschlag (20) anliegt.

Dieser Schnitt wird verwendet wenn die Breite des Werkstückes größer ist als die vom Sägeblatt in der hintersten Position abgedeckte Breite. Drücken Sie das Sägeblatt bis zum Anschlag (20) und lösen Sie die Zugklemmschraube (19). Ziehen Sie den Sägekopf in oberer Position nach vorn, bis er vor dem Werkstück liegt. Schalten Sie die Säge EIN und warten Sie, bis das Sägeblatt volle Geschwindigkeit erreicht hat. Senken Sie den Sägekopf langsam in das Werkstück. Üben Sie keinen übermäßigen Druck aus. Schieben Sie den Sägekopf langsam nach hinten in Richtung des Anschlages bis der Schnitt durchgeführt ist. Schalten Sie, nachdem der Schnitt ausgeführt ist, die Säge aus.

9.5 Wechseln des Sägeblattes

Achtung! Nehmen Sie vor dem Wechseln des Sägeblattes immer den Akku aus der Säge. Verwenden Sie ausschließlich

Sägeblätter mit einer zulässigen Höchstdrehzahl von 4200 u/min oder mehr. Stellen Sie sicher, dass Spindeldurchmesser und Bohrung im Sägeblatt zusammenpassen. Verwenden Sie ausschließlich scharfe, unbeschädigte Sägeblätter. Sägeblätter, die Verzogen sind oder Risse aufweisen, müssen sofort ersetzt werden.

Achtung! Auch gebrauchte Sägeblätter sind scharf. Es besteht beim Handhaben ein Risiko, sich zu schneiden. Handhaben Sie Sägeblätter stets mit Vorsicht.

Überzeugen Sie sich davon, dass der Akku sich nicht am Gerät befindet.

Bringen Sie den Sägekopf in die oberste Position. Öffnen Sie von Hand die Schutzhaube, bis das Sägeblatt frei liegt. Drücken und halten Sie die Wellensperre (25) während Sie das Sägeblatt drehen bis es einrastet.

Halten Sie die Wellensperre weiter und setzen Sie den mitgelieferten Innensechskantschlüssel in die Befestigungsschraube des Sägeblattes. Lösen Sie die Schraube durch Drehen im Uhrzeigersinn. Öffnen Sie die Sägeblattabdeckung manuell und entfernen Sie sie. Nehmen Sie den äußeren Flansch, das Sägeblatt und den inneren Flansch heraus. Reinigen Sie die Flansche mit einem Tuch. Setzen Sie den inneren Flansch wieder ein. Setzen Sie das neue Sägeblatt ein. Der Richtungspfeil auf dem Sägeblatt muss mit dem Richtungspfeil auf dem Gehäuse übereinstimmen. Setzen Sie den äußeren Flansch und die Befestigungsschraube wieder ein.

Drücken und halten Sie die Wellensperre während Sie das Sägeblatt drehen bis es einrastet. Ziehen Sie die Befestigungsschraube mit dem mitgelieferten Innensechskantschlüssel durch Drehen gegen den Uhrzeigersinn wieder fest.

Prüfen Sie die Funktion aller Sicherheitseinrichtungen und überzeugen Sie sich, dass das Sägeblatt rund und frei läuft.

9.6 Tragegriff

Die Säge ist mit einem Tragegriff (10) ausgestattet. Sichern Sie beim Tragen den Sägeknopf mit dem Stift (18) in der unteren Position.

10. Reinigung und Wartung

10.1 Reinigung

- Halten Sie Schutzvorrichtungen, Lüftungsöffnungen und Motorengehäuse so staub- und schmutzfrei wie möglich. Reiben Sie das Elektrowerkzeug mit einem sauberen Tuch ab oder blasen Sie es mit Druckluft bei niedrigem Druck aus.
- Wir empfehlen, dass Sie das Elektrowerkzeug direkt nach jeder Benutzung reinigen.
- Reinigen Sie das Elektrowerkzeug regelmäßig mit einem feuchten Tuch und etwas Schmierseife. Verwenden Sie keine Reinigungs- oder Lösungsmittel; diese könnten die Kunststoffteile des Elektrowerkzeuges angreifen. Achten Sie darauf, dass kein Wasser in das Innere des Elektrowerkzeuges gelangen kann.
- Entnehmen Sie vor allen Arbeiten am Gerät unbedingt den Akku.

10.2 Wartung

Im Geräteinneren befinden sich keine weiteren zu wartenden Teile.

11. Technische Daten

Akkuspannung: 18 V Li-Ion
 Leerlaufdrehzahl: 4200 min⁻¹
 Gehrungswinkel: 0 – 45°
 Fasenwinkel: 0 – 45°
 Abmessungen des Sägeblattes:
 Ø 216 x 1,5 mm, Bohrung 30 mm
 Schnittleistung:
 0°/ 0°: 62 x 305 mm
 0°/45°: 62 x 210 mm
 45°/0°: 30 x 305 mm
 45°/45°: 30 x 210 mm
 Gewicht ohne Akku: 12,8 kg
 Schalldruckpegel L_{PA}: 86,2 dB(A)
 Unsicherheit K_{PA}: 3 dB(A)
 Schalleistungspegel L_{WA}: 98,1 dB(A)
 Unsicherheit K_{WA}: 3 dB(A)

12. Entsorgung



Werter Kunde, bitte helfen Sie mit, Abfall zu vermeiden. Sollten Sie sich einmal von diesem Artikel

trennen wollen, so bedenken Sie bitte, dass

viele seiner Komponenten aus wertvollen Rohstoffen bestehen und wiederverwertet werden können. Entsorgen Sie es daher nicht in die Mülltonne, sondern führen Sie es bitte Ihrer Sammelstelle für Wertstoffe zu.

12.1 Batterien

Denken Sie bei der Entsorgung von Batterien an den Umweltschutz. Wenden Sie sich zwecks einer umweltfreundlichen Entsorgung an die lokalen Behörden.

13. EG-Konformitätserklärung

Wir, die **Batavia B.V., Weth. Wassebalie-straat 6d, NL-7951 SN Staphorst**, erklären in alleiniger Verantwortung, dass das Produkt **Akku-Zug-Kapp-Gehrungssäge, Artikel Nr. 7063453, Modell Nr. BT-CMS001** den wesentlichen Schutzanforderungen genügt, die in den Europäischen Richtlinien **2014/30/EU Elektromagnetische Verträglichkeit (EMV), 2006/42/EG Maschinen, RoHS: 2011/65/EU** und deren Änderungen festgelegt sind. Für die Konformitätsbewertung wurden folgende harmonisierte Normen herangezogen:

EN 62841-1:2015+AC
EN 62841-3-9:2015+AC
AfPS GS 2019:01
EN 55014-1:2006+A1+A2
EN 55014-2:1997+AC+A1+A2

Staphorst, den 7. juli 2021

Meino Seinen, Qualitätsbeauftragter
 Batavia B.V., Weth. Wassebaliestraat 6d,
 7951 SN Staphorst, Niederlande
 Das Produkt und das Benutzerhandbuch können geändert werden. Die technischen Daten können ohne Vorankündigung geändert werden.

Cher client

Les manuels d'utilisation contiennent des consignes importantes pour la manipulation de votre nouveau produit. Ils vous permettent d'utiliser toutes les fonctions, d'éviter des erreurs de compréhension et de prévenir les dommages.

Veuillez lire le ci-joint « Consignes générales de sécurité pour appareils électriques » ainsi que toutes les consignes de sécurité supplémentaires contenues dans ce mode d'emploi !

Veuillez prendre le temps de lire tranquillement ce manuel d'utilisation et conservez-le jalousement pour une consultation ultérieure.

Batterie et chargeur non inclus!

La batterie est disponible séparément sous N° d'art. : 7062518 (4Ah).

Le chargeur est disponible séparément sous N° d'art. : 7063630 (1.65A) ou 7063554 (4A).

Ces articles sont disponibles en ligne et dans les magasins participants.

1. Explication des symboles

Les symboles suivants sont utilisés dans le manuel d'utilisation ou apposés sur le produit :



AVERTISSEMENT : pour réduire les risques de blessures, veuillez lire le mode d'emploi.



Indique un risque de blessures, un danger mortel ou un risque d'endommagement de l'outil en cas de non-respect des consignes de ce mode d'emploi.



Portez en permanence une protection auditive. L'exposition au bruit peut provoquer des pertes d'audition.



Portez un masque anti-poussière. Le travail du bois et d'autres matériaux peut générer des poussières nocives pour la santé. Les matériaux contenant de l'amiante ne doivent pas être utilisés.



Portez des lunettes de protection. Les étincelles provoquées par le travail ou les éclats, les copeaux et les poussières provenant de l'appareil électrique peuvent entraîner la perte de la vue.



Attention : Rayon laser ! Ne regardez pas directement le faisceau laser. Ne pointez pas le faisceau laser sur les humains ou les animaux.



CE est l'abréviation de "Conformité Européenne", ce qui signifie "conforme aux directives de l'Union Européenne". Le fabricant confirme par le marquage CE que cet appareil électrique correspond aux directives européennes en vigueur.



Ne jetez pas les équipements électriques avec les ordures ménagères.

2. Avertissements de sécurité additionnels



Afin d'éviter un mauvais fonctionnement, des dommages, des effets néfastes sur la santé, veuillez respecter les instructions suivantes et les consignes générales de sécurité ci-joint :

- 2.1 S'il vous plaît lire attentivement ces instructions et utiliser l'appareil en suivant ces instructions.
- 2.2 (Voir **Fig. B.**) Ne pas pointer le laser vers des personnes ou des animaux. Tenir l'appareil toujours de telle manière que le laser émet le faisceau à partir de son propre corps. Ne regardez jamais dans le laser pour éviter de graves dommages aux yeux. Jamais pointer un laser sur un miroir ou d'autres surfaces réfléchissantes. Le faisceau dévié incontrôlée pourrait frapper des personnes ou des animaux.
- 2.3 L'appareil n'est pas un jouet et doit être gardé hors de la portée des enfants. Ne pas laisser l'appareil allumé sans surveillance et tenir hors de portée des enfants et des personnes ayant besoin de supervision. Les enfants doivent être

- surveillés pour s'assurer qu'ils ne jouent pas avec l'appareil.
- 2.4 Les personnes ayant des capacités physique, sensorielles ou mentales limités ne devraient pas utiliser l'appareil, mais seulement sous le contrôle et après avoir reçu les instructions de la personne responsable pour la leur sécurité.
- 2.5 Si l'appareil est endommagé ne l'utilisez pas et le faire réparer par un expert ou contactez notre service à la clientèle. Ne démontez pas l'appareil et n'essayez pas de le réparer.

3. Avertissements spécifiques pour les scies à tronçonner et à onglets

- 3.1 Choisissez une lame de scie adaptée au matériau à couper.
- 3.2 N'utilisez pas de lames de scie endommagées ou déformées.
- 3.3 Remplacer un insert de table usé.
- 3.4 N'utilisez que des lames de scie recommandées par le fabricant et conforme à l'EN 847-1. N'utiliser pas de lames de scie en acier rapide.
- 3.5 Porter un équipement de protection approprié. Cela comprend la protection de l'ouïe, des lunettes de protection, une protection respiratoire et des gants lors de la manipulation des lames de scie et des matériaux rugueux. (Les lames de scie doivent être transportées dans un conteneur chaque fois que cela est possible). Veuillez noter que portes des gants pendant le fonctionnement de la scie présente un risque pour la sécurité et n'est pas recommandé.
- 3.6 Lorsque vous sciez du bois, connectez la scie à un collecteur de poussière.
- 3.7 Gardez vos mains et autres parties du corps à l'écart de la lame de scie rotative.
- 3.8 Fixez toujours les pièces à la scie avec le dispositif de serrage.
- 3.9 Verrouillez le plateau tournant et le dispositif de pivotement du bras avant le sciage.

- 3.10 Le sol à proximité de la machine doit être de niveau, propre et exempt de particules libres, telles que : comme des copeaux et des restes de coupe.
- 3.11 Utilisez uniquement des lames de scie correctement affûtées. La vitesse maximale spécifiée sur la lame de scie doit être respectée.
- 3.12 Ne retirez aucun débris de coupe ou autre pièce de la zone de coupe tant que la machine est en marche et que la scie n'est pas encore en position de repos.
- 3.13 Assurez-vous que la machine est toujours attachée à un établi ou à une table, si possible.
- 3.14 Toujours prendre en charge les pièces longues avec un support de matériau supplémentaire, par ex. un bloc de rouleau.
- 3.15 Vérifiez la pièce pour les clous, les vis ou tout autre objet étranger avant de couper.
- 3.16 Vérifiez périodiquement tous les écrous, boulons et autres fixations et serrez-les si nécessaire.

4. Consignes de sécurité particulières

- a. **Les scies à onglet sont conçues pour la découpe du bois ou de produits ligniformes. Elles ne doivent pas être utilisées pour la découpe de matériaux à base de fer comme des tiges, des barres, des vis, etc.** La poussière abrasive entraînerait le blocage des pièces mobiles comme le capot de protection inférieur. Les étincelles produites durant la découpe brûleraient le capot de protection inférieur, la plaque d'insert et d'autres pièces en plastique.
- b. **Si possible, fixez la pièce à usiner à l'aide de serre-joints. Si vous maintenez la pièce à usiner manuellement, vous devez toujours maintenir la main à une distance d'au moins 100 mm de chaque côté de la lame de scie. N'utilisez pas cette scie pour découper des pièces trop petites pour être fixées ou maintenues manuellement.** Si votre main est trop proche de la lame de scie,

- vous augmentez le risque de blessure par contact avec la lame de scie.
- c. **La pièce à usiner doit être immobile et serrée ou maintenue contre la butée et la table. Ne poussez pas la pièce à usiner vers la lame de scie et ne coupez jamais « à main levée ».** Les pièces non fixées ou mobiles risquent d'être projetées à grande vitesse ce qui peut causer des blessures.
- d. **Poussez la scie à travers la pièce à usiner. Évitez de tirer la scie à travers la pièce à usiner. Pour une coupe, soulever la tête de sciage et tirez-la au-dessus de la pièce à usiner sans couper. Mettez ensuite le moteur en marche, inclinez la tête de sciage vers le bas et poussez la scie à travers la pièce à usiner.** Si vous coupez en tirant la scie, la lame de scie risque de sortir de la pièce à usiner et d'être projetée avec force contre l'opérateur.
- e. **Ne croisez jamais les mains au-dessus de la ligne de coupe prévue, ni devant ou derrière la lame de scie.** Il est très dangereux de soutenir la pièce avec les « mains croisées », c'est-à-dire en tenant la pièce à usiner avec la main gauche à droite de la lame de scie ou inversement.
- f. **Ne placez pas vos mains derrière la butée lorsque la lame de scie tourne. Respectez toujours la distance de sécurité minimale de 100 mm entre la main et la lame de scie en rotation (valable pour les deux côtés de la lame de scie, par ex. pour éliminer les déchets de bois).** Dans le cas contraire, vous risqueriez de sous-estimer la faible distance entre la lame et votre main et de vous blesser grièvement.
- g. **Contrôlez la pièce à usiner avant de la couper. Si la pièce à usiner est tordue ou déformée, fixez-la avec le côté courbé vers l'extérieur du côté de la butée. Veillez toujours à ce qu'il n'y ait pas d'espace entre la pièce à usiner, la butée et la table le long de la ligne de coupe.** Les pièces courbées ou déformées peuvent se tordre ou se déplacer et entraîner le blocage de la lame de scie lors du sciage. La pièce à usiner doit être exempte de clous et de corps étrangers.
- h. **Utilisez seulement la scie lorsque la table a été débarrassée de tous les outils, déchets de bois, etc. ; seule la pièce à usiner peut se trouver sur la table.** Les petits déchets, les pièces de bois détachées ou d'autres objets qui entreraient en contact avec la lame en rotation risquent d'être projetés à grande vitesse.
- i. **Découpez une seule pièce à la fois.** Les pièces empilées ne peuvent pas être fixées ou maintenues correctement et peuvent entraîner le blocage de la lame durant le sciage ou glisser.
- j. **Veillez à ce que la scie à onglet soit posée sur une surface de travail plane et solide avant l'utilisation.** Une surface de travail plane et solide réduit le risque d'instabilité de la scie à onglet.
- k. **Planifiez votre travail. Lors de chaque réglage de l'inclinaison de la lame ou de l'angle de coupe, veillez à ce que la butée réglable soit correctement ajustée et à ce que la pièce soit soutenue sans entrer en contact avec la lame ou le capot de protection.** Simulez le mouvement de coupe complet de la lame sans mettre la machine en marche et sans placer la pièce à usiner sur la table afin de vous assurer qu'elle ne soit pas entravée et qu'elle ne coupe pas dans la butée.
- l. **Veillez à ce que les pièces plus larges ou plus longues que la surface supérieure de la table soient correctement soutenues, par ex. à l'aide d'une rallonge de table ou de chevalets de sciage.** Les pièces plus larges ou plus longues que la table de la scie à onglet risquent de basculer si elles ne sont pas correctement soutenues. Si une pièce de bois coupée ou la pièce à usiner bascule, elle risque de soulever le capot de protection inférieur ou d'être projetée de manière incontrôlée par la lame de scie en rotation.
- m. **Ne demandez pas à d'autres personnes de tenir la pièce à la place**

d'une rallonge de table ou de soutenir la pièce. Un mauvais soutien de la pièce à usiner peut entraîner le blocage de la lame de scie. La pièce à usiner risque également de se déplacer durant le sciage et de vous entraîner vous et la personne qui vous aide vers la lame de scie en rotation.

- n. **La pièce découpée ne doit en aucun cas être pressée contre la lame de scie en rotation.** S'il n'y a pas suffisamment de place, par ex. pour l'utilisation de guides latéraux, la pièce découpée risque de se coincer dans la lame de scie et d'être projetée de force.
- o. **Utilisez toujours un serre-joints ou un dispositif adapté pour soutenir correctement les matériaux rond comme des barres ou des tuyaux.** Les barres ont tendance à rouler lors de la découpe, ce qui peut entraîner le blocage de la lame et entraîner la pièce à usiner et votre main vers la lame de scie.
- p. **Attendez que la lame ait atteint sa vitesse de rotation maximale avant de couper la pièce à usiner.** Cela réduit le risque d'éjection de la pièce à usiner.
- q. **Si la pièce à usiner coince ou bloque la lame de scie, arrêtez la scie à onglet. Attendez que toutes les pièces mobiles soient totalement arrêtées, retirez la fiche de la prise et/ou retirez la batterie. Retirez ensuite le matériau bloqué.** Si vous continuez de scier malgré le blocage, vous risquez de perdre le contrôle de la machine ou d'endommager la scie à onglet.
- r. **Une fois la découpe terminée, lâchez l'interrupteur, maintenez la tête de scie vers le bas et attendez l'arrêt de la lame avant de retirer la pièce découpée.** Il est dangereux d'approcher la main de la lame encore en rotation.

5. Avant la première utilisation

Retirez la machine et les accessoires de l'emballage. Conservez les matériaux d'emballage hors de la portée des enfants. Il y a un risque d'étouffement !

6. Contenus de l'emballage

- 1× Scie à onglet radiale sans fil
- 1× Sac collecteur de sciure
- 1× Lame de scie de 216 mm 48 Z (montée)
- 2× Ensembles de rallonges
- 1× Manuel d'instructions

7. Utilisation prévue

La scie à onglets est conçue comme une machine pour effectuer des coupes droites dans le bois, sans avoir besoin d'une alimentation électrique principale. Il est possible de couper des angles d'onglet de -45° à $+45^\circ$ et des angles de biseau de 0° à 45° . La scie à onglets est conçue avec une capacité suffisante pour scier le bois dur et le bois tendre.

8. Instructions de montage et de réglage

8.1 Assemblage

Insérez les supports de pièces (7) dans les trous de chaque côté de la scie à onglet. Serrez les vis de verrouillage (21) du support de pièces pour bloquer les supports de pièces en position. Vérifiez que les supports sont solidement fixés. La scie à onglet est livrée avec une lame de scie.

8.2 Fonctionnement

La scie à onglet doit être fixée à un établi ou à une table de sciage. Vérifiez que tous les couvercles et dispositifs de sécurité ont été correctement montés et sont opérationnels. Vérifiez que la tête de scie n'est pas verrouillée et qu'elle peut bouger librement. Si elle n'est pas libre, desserrez la vis de verrouillage coulissant (19) et la broche de verrouillage à tête baissée (18). Avant d'insérer la pile (13), vérifiez que la lame de scie (3) peut tourner librement.

8.3 Aspiration de poussière

Le sac collecteur de sciure ou le système d'aspiration de sciure approprié doit être raccordé à l'orifice d'aspiration de sciure (11).

8.4 Insertion et retrait de la pile

Avertissement : Avant d'insérer ou de retirer la pile, assurez-vous que la scie à onglets est éteinte.

Veillez noter que la scie ne fonctionne correctement qu'avec une pile de 4,0 Ah.

Glissez la pile dans l'emplacement prévu à cet effet à l'arrière de la tête de scie. Pour insérer la pile, alignez-la avec la base de la pile à l'arrière de la tête de scie et glissez-la dans la scie de sorte qu'elle soit verrouillée en position.

Pour retirer la pile, appuyez sur le bouton de déverrouillage de la pile et retirez-la en même temps.

8.5 Faisceau laser

Attention ! Radiation laser ! Respectez les consignes de sécurité ! Classe laser 2. Le faisceau laser est utilisé pour montrer la position de la coupe sur la pièce. Il peut être mis en marche ou arrêté à l'aide de l'interrupteur (14) situé sur au-dessus du corps de la scie.

8.6 Lampe de travail à LED

Pour fournir un éclairage supplémentaire de la pièce, la scie est équipée d'une lampe de travail LED intégré. Elle peut être mise en marche ou arrêté à l'aide de l'interrupteur (15) situé sur au-dessus du corps de la scie.

8.7 Réglage des angles de coupe

Attention ! Avant d'effectuer des réglages, vérifiez que la pile a été retirée afin d'éviter tout démarrage accidentel.

Après avoir réglé les angles, effectuez toujours des coupes d'essai.

8.8 Réglage de l'angle d'onglet

L'angle d'onglet est réglable en continu de gauche à droite entre 0° et 45°. Pour régler l'angle d'onglet, desserrez le bouton de verrouillage de la position d'onglet (5). Tournez la table et réglez l'angle d'onglet requis à l'aide de l'échelle de l'indicateur de l'angle d'onglet (23). Serrez le bouton de verrouillage de la position d'onglet (5).

8.9 Réglage de l'angle de biseau

L'angle de biseau est réglable en continu entre 0° et 45°. Pour régler l'angle du biseau et desserrer le bouton de verrouillage de la position de biseau (9). Inclinez la tête de coupe sur l'angle de biseau requis et souhaitez à l'aide de l'échelle de l'indicateur de l'angle de biseau (8). Serrez le bouton de verrouillage de la position de biseau (9).

8.10 Réglage de la profondeur de coupe

La profondeur de coupe peut être réglée si nécessaire. Pour ce faire, mettez la pièce de verrouillage coulissante en position avant, de manière à ce que la vis de réglage de la profondeur de coupe (12) entre en contact avec elle lorsque la tête de scie est enfoncée. Desserrez l'écrou de verrouillage de la vis de réglage sur la profondeur de coupe (12). Abaissez délicatement la tête de scie à la profondeur de coupe désirée. Ajustez la vis vers le haut ou vers le bas pour la profondeur de coupe désirée. Resserrez l'écrou de verrouillage sur le réglage de la profondeur de coupe (12).

9. Utilisation

9.1 Coupe

Assurez-vous qu'une pile de 4,0 Ah est chargée et installée correctement.

Fixez la pièce à l'aide de la pince (4). Ne vous approchez pas de la lame de scie à filer. Assurez-vous que la lame de scie ne touche aucun des guides et ajustez-les si nécessaire.

Pour couper une pièce courbe, assurez-vous qu'elle n'est pas pliée contre le guide. (Voir Fig. C.) Assurez-vous qu'il n'y a pas d'espace entre la pièce, le guide et la plaque de base.

Les pièces longues doivent être soutenues de manière appropriée, par exemple sur un support équipé de rouleaux. Évitez de tenir ou de guider les pièces d'une manière qui compromet votre équilibre.

Pour couper, appuyez sur l'un des verrous de sécurité (16) et actionnez le commutateur MARCHE/ARRÊT (17). Laissez la lame de scie atteindre sa vitesse maximale avant d'appuyer doucement sur la tête de scie. Lorsque la machine a atteint sa vitesse maximale, appuyez sur la partie supérieure de la scie par la poignée. Dans la mesure du possible, coupez la pièce d'un seul mouvement régulier. Des pièces de forme irrégulière peuvent faire remonter la partie supérieure de façon inattendue, c'est pourquoi il faut tenir la poignée avec une prise ferme. Pour arrêter la scie, relâchez le commutateur MARCHE/ARRÊT (17).

9.2 Coupes composées

Les coupes composées peuvent être effectuées en réglant simultanément n'importe quelle combinaison d'onglet, de biseau et de profondeur de coupe.

9.3 Coupes en goutte

Attention ! Assurez-vous que la pièce est fermement fixée à la plaque de base et qu'elle est soutenue contre le guide arrière (20) avant de la couper.

Cette coupe est utilisée lorsque la largeur de la pièce est inférieure à la largeur de coupe de la lame à la position la plus arrière. Poussez la tête de scie vers l'arrière en direction du guide (20) à fond et serrez la vis de verrouillage coulissant (19).

Mettez la scie en marche et attendez que la lame atteigne sa vitesse maximale. Abaissez doucement la tête de scie vers la pièce jusqu'à ce que la coupe soit terminée. Ne forcez pas la lame. Une fois la coupe terminée, éteignez la scie.

9.4 Coupes coulissantes

Attention ! Assurez-vous que la pièce est fermement maintenue ou serrée contre la table tournante (22) et qu'elle est soutenue contre le guide arrière (20) avant de couper.

Attention ! Une pièce déformée ou irrégulière peut pincer la lame de scie pendant la coupe et provoquer un rebond. Vérifiez que la pièce est toujours soutenue uniformément contre le guide arrière (20).

Cette coupe est utilisée lorsque la largeur de la pièce est supérieure à la largeur de coupe de la lame à la position la plus arrière.

Vérifiez que la scie est dans la position la plus arrière et que la vis de verrouillage coulissant (19) n'est pas engagé.

Avec la tête de scie en position haute, tirez la tête de scie vers l'extérieur afin qu'elle dégage la pièce.

Mettez la scie en marche et attendez que la lame atteigne sa vitesse maximale. Abaissez doucement la tête de scie vers la pièce jusqu'à ce que la profondeur de coupe soit atteinte. Ne forcez pas la lame. Une fois la profondeur de coupe atteinte, maintenez la tête de scie à cette profondeur et poussez-la vers la position la plus arrière pour

terminer la coupe. Ne forcez pas la lame. Une fois la coupe terminée, éteignez la scie.

9.5 Remplacement de la lame de scie

Attention ! Avant de remplacer la lame de scie, retirez toujours la pile. N'utilisez que des lames de scie d'une vitesse de rotation égale ou supérieure à 4 200 tr/min. Assurez-vous que le diamètre de la broche et l'alésage de la lame de scie correspondent. N'utilisez que des lames de scie tranchantes et en bon état. Les lames de scie fissurées ou courbées doivent être remplacées immédiatement.

Attention ! Même les lames de scie usagées sont tranchantes. Il existe un risque de coupures lors de leur manipulation. Manipulez les lames de scie avec précaution.

Assurez-vous que la pile a été retirée.

Placez la tête de la machine dans sa position la plus haute. Rentrez manuellement le protecteur inférieur pour exposer la lame de scie. Maintenez enfoncé le bouton de verrouillage de la broche (25) tout en tournant la lame de scie à la main jusqu'à ce que le bouton de verrouillage de la broche s'engage complètement.

Tout en maintenant le bouton de verrouillage de la broche enfoncé, placez la clé hexagonale fournie sur la vis de la broche. Desserrez la vis de la broche et retirez-la en la tournant dans le sens des aiguilles d'une montre. Ouvrez manuellement le couvercle de la lame de scie et enlevez la bride extérieure, l'ancienne lame de scie et la bride intérieure.

Nettoyez les brides avec un chiffon. Remontez la bride intérieure. Montez la nouvelle lame de scie avec la flèche de direction correspondant à la flèche présente sur le boîtier. Remontez la bride extérieure, insérez la vis de la broche et serrez à la main.

Maintenez enfoncé le bouton de verrouillage de la broche tout en tournant la lame de scie à la main jusqu'à ce que le bouton de verrouillage de la broche s'engage complètement. Resserrez la vis de la broche à l'aide de la clé hexagonale fournie en la tournant dans le sens inverse des aiguilles d'une montre.

Vérifiez le fonctionnement de tous les dispositifs de protection et assurez-vous que la lame de scie est bien serrée et qu'elle tourne librement et correctement.

9.6 Poignée de transport

La scie est équipée d'une poignée de transport (10). Lors du transport de la scie, fixez la tête de scie en position abaissée à l'aide de la broche de verrouillage (18).

10. Nettoyage et maintenance

10.1 Nettoyage

- Les équipements de protection, les fentes de ventilation et le carter du moteur doivent rester aussi propres que possible, sans poussière ni salissures. Nettoyez l'appareil électrique avec un chiffon propre ou en soufflant de l'air comprimé à faible pression.
- Nous conseillons de nettoyer l'appareil électrique immédiatement après chaque utilisation.
- Nettoyez régulièrement l'appareil électrique avec un chiffon humide et un peu de savon noir. N'utilisez ni détergents ni solvants ; ceux-ci pourraient attaquer les parties en plastique de l'appareil. Veillez à empêcher la pénétration d'eau à l'intérieur de l'appareil électrique.
- Sortez la batterie avant d'entreprendre un travail de nettoyage ou d'entretien.

10.2 Maintenance

Il n'y a aucune autre pièce nécessitant un entretien à l'intérieur de l'appareil.

11. Caractéristiques techniques

Tension nominale :	18 V Li-Ion
Vitesse à vide :	4200 min ⁻¹
Angle d'onglet :	0 – 45°
Angle de biseau :	0 – 45°
Dimensions de la lame de scie :	Ø 216 x 1.5 mm, trou intérieur 30 mm
Capacité de coupe :	
	.0°/ 0°: 62 x 305 mm
	0°/45°: 62 x 210 mm
	45°/0°: 30 x 305 mm
	45°/45°: 30 x 210 mm
Poids :	12,8 kg
Niveau de pression acoustique pondéré L _{PA} :	86,2 dB(A)
Incertitude K _{PA} :	3 dB(A)
Niveau de puissance acoustique pondéré L _{WA} :	98,1 dB(A)
Incertitude K _{WA} :	3 dB(A)

12. Élimination et recyclage



N'éliminez pas les appareils électriques via les ordures ménagères.

L'appareil électrique se trouve dans un emballage afin d'éviter tout dommage pendant le transport. Cet emballage est une matière première et peut donc être réutilisé ultérieurement ou être réintroduit dans le circuit des matières premières. L'appareil électrique et ses accessoires sont composés de plusieurs matériaux, par exemple des métaux et des matières plastiques. Éliminez les composants défectueux via les systèmes d'élimination des déchets spéciaux. Renseignez-vous dans un magasin spécialisé ou auprès de l'administration de votre commune!

12.1 Batteries

Lors de l'élimination des batteries, pensez à la protection de l'environnement. Pour une élimination écologique, adressez-vous aux autorités locales.

13. CE-Déclaration de conformité

Nous, **Batavia B.V., Weth. Wassebaliestraat 6d, NL-7951 SN Staphorst**, déclarons sous notre seule responsabilité que le produit **Scie à onglet radiale sans fil, N° d'article : 7063453, modèle BT-CMS001**, satisfait les principales exigences de protection définies dans les directives européennes **compatibilité électromagnétique 2014/30/EU (CEM), 2006/42/CE (machines), RoHS: 2011/65/EU** ainsi que les modifications y apportées. Pour évaluer la conformité nous avons eu recours aux normes harmonisées ci-dessous:

EN 62841-1:2015+AC

EN 62841-3-9:2015+AC

AfPS GS 2019:01

EN 55014-1:2006+A1+A2

EN 55014-2:1997+AC+A1+A2

Staphorst, le 7 juillet 2021



Meino Seinen, Responsable de qualité
Batavia B.V., Weth. Wassebaliestraat 6d,
7951 SN Staphorst, Pays-Bas

Le produit et le manuel utilisateur peuvent être modifiés. Les caractéristiques techniques peuvent être modifiées sans préavis.

Geachte klant

Gebruikershandleidingen verstrekken nuttige tips m.b.t. gebruik van uw nieuwe apparaat. Ze helpen u alle functies te gebruiken, misverstanden te voorkomen en beschadiging te vermijden. Neem de tijd deze handleiding zorgvuldig te lezen en bewaar het als naslagwerk.

Lees alstublieft de los bijgevoegde "Algemene veiligheidsvoorschriften voor elektrisch gereedschap" en alle aanvullende veiligheidsinstructies in deze gebruiksaanwijzing!

Deze handleiding bevat belangrijke informatie over het bedienen en hanteren van het apparaat. Bewaar deze gebruiksaanwijzing voor verdere verwijzing. Gelieve het samen met het toestel door te geven als deze aan derden wordt overhandigd.

Batterij en oplader niet inbegrepen.

De batterij is leverbaar onder art. nr.: 7062518 (4Ah).

De oplader is leverbaar onder art. nr.: 7063630 (1.65A) of 7063554 (4A)..

Deze items zijn verkrijgbaar in deelnemende winkels en online.

1. Uitleg van de symbolen

De volgende symbolen worden gebruikt in de gebruikershandleiding of op het product:



WAARSCHUWING – Lees de gebruiksaanwijzing om het risico op letsel te verminderen.



Gevaar voor lichamelijk letsel of materiële schade wanneer de instructies in deze handleiding niet worden opgevolgd.



Draag altijd gehoorbescherming. Blootstelling aan lawaai kan leiden tot gehoorbeschadiging.



Draag een stofmasker. Bij het bewerken van hout en andere materialen kunnen schadelijk stoffen vrijkomen. Er mogen geen asbesthoudende materialen worden verwerkt!



Draag een veiligheidsbril. Vonken die tijdens het werk ontstaan, of van de machine afkomstige splin-

ters, spaanders en stof kunnen leiden tot oogbeschadiging.



Waarschuwing : laserstraal! Kijk niet rechtstreeks in de laserstraal. Richt de laserstraal niet op mensen of dieren.



CE staat voor: „Conformité Européenne”. Dit betekent: „Voldoet aan EU-richtlijnen”. Met de CE-markering bevestigt de fabrikant dat deze machine voldoet aan de geldende Europese richtlijnen.



De machine mag niet worden afgevoerd met het huishoudelijk afval.

2. Aanvullende veiligheidsvoorschriften



Neem de bijgevoegde Algemene Veiligheidsvoorschriften en de volgende veiligheidsvoorschriften in acht ter voorkoming van storingen, schade of lichamelijk letsel:

- 2.1 Lees deze handleiding zorgvuldig door en gebruik het apparaat alleen zoals uitgelegd in deze handleiding.
- 2.2 (Zie **Afb. B**) Richt de laser nooit op personen of dieren. Houd het apparaat altijd zodanig vast dat de laserbundel van het lichaam af wordt gericht. Kijk nooit in de laserbundel. Dit kan ernstig oogletsel veroorzaken. Richt de laser niet op spiegels of andere sterk reflecterende oppervlakken. De ongecontroleerd weerkaatste bundel kan personen of dieren raken.
- 2.3 Het apparaat is geen speelgoed en hoort niet in de handen van kinderen. Laat het apparaat nooit zonder toezicht wanneer het wordt gebruikt. Houd het buiten het bereik van kinderen of personen die begeleiding nodig hebben. Kinderen dienen altijd onder toezicht te staan om te verzekeren dat ze niet met het apparaat spelen.
- 2.4 Personen met fysieke-, sensorische- of mentale beperkingen mogen het apparaat niet gebruiken, tenzij ze worden begeleid en over hun veiligheid worden

- geïnstreueerd door een daartoe gekwalificeerd persoon.
- 2.5 Gebruik het apparaat niet langer als het beschadigd raakt en laat het repareren door een expert of neem contact op met onze klantenservice. Demonteer het apparaat niet en probeer niet om het zelf te repareren.

3. Speciale veiligheidsaanwijzingen voor afkortzagen

- 3.1 Gebruik altijd het juiste zaagblad voor het materiaal dat u wilt zagen.
- 3.2 Gebruik geen beschadigde of kromgetrokken zaagbladen.
- 3.3 Versleten inzetstukken van de voetplaat moeten worden vervangen.
- 3.4 Gebruik uitsluitend zaagbladen die worden aanbevolen door de fabrikant en raadpleeg EN 847-1. . Gebruik geen HSS-zaagbladen.
- 3.5 Draag indien nodig geschikte beschermingsmiddelen. Dit omvat gehoorbescherming, een veiligheidsbril, een stofmasker en handschoenen om uw handen te beschermen bij het behandelen van zaagbladen of grove materialen. (Zaagbladen moeten waar mogelijk in een koffer worden verpakt). Onthoud dat het dragen van handschoenen bij het bedienen van de zaag een veiligheidsrisico is en dat u dit niet moet doen.
- 3.6 Sluit de afkortzaag bij het zagen van hout altijd aan op een stofafzuiger.
- 3.7 Houd uw handen en andere lichaamsdelen uit de buurt van het draaiende zaagblad.
- 3.8 Zet alle werkstukken met de schroefklem vast op de zaag.
- 3.9 Vergrendel de mobiele voetplaat en draaiarm, voordat u met een zaagsnede begint.
- 3.10 De vloer rondom de machine moet gelijkmatig, schoon en vrij zijn van afval, zoals reststukken.
- 3.11 Gebruik uitsluitend scherpe, rechte zaagbladen in goede staat. Neem het maximale toerental van het zaagblad in acht.

- 3.12 Reik niet in het werkgebied om stukken te verwijderen of om enige andere reden, terwijl de machine draait en het zaagsamenstel niet in de ruststand is vergrendeld.
- 3.13 Zorg ervoor dat de machine, indien mogelijk, stevig aan een werkbank of tafel wordt gemonteerd of geklemd.
- 3.14 Lange werkstukken moeten in elk geval worden ondersteund met een aanvullende steun, zoals een rollensteun.
- 3.15 Zorg ervoor dat er zich geen spijkers, schroeven of vergelijkbare voorwerpen in het werkstuk bevinden.
- 3.16 Controleer periodiek alle bouten, moeren en andere bevestigingen en draai deze indien nodig vast.

4. Speciale veiligheidsvoorschriften

- a. **Verstekafkortzagen zijn bestemd voor het zagen van hout of houtachtige producten. Zij mogen niet voor het zagen van ijzer zoals staven, stangen, schroeven etc. worden gebruikt.** Slijpstof leidt tot het blokkeren van bewegende delen zoals de onderste beschermkap. Vonken van het zagen verbranden de onderste beschermkap, het toevoerbord en andere kunststof onderdelen.
- b. **Fixeer het werkstuk indien mogelijk met klemmen. Als u het werkstuk met de hand vasthoudt, moet u uw hand op een afstand van tenminste 100 mm van iedere kant van het zaagblad houden. Gebruik de zaag niet voor het zagen van stukken die te klein zijn om ze vast te zetten of met de hand vast te houden.** Als uw hand zich te dicht bij het zaagblad bevindt, bestaat een verhoogd letselrisico door contact met het zaagblad.
- c. **Het werkstuk moet onbeweeglijk zijn en of vastgeklemd of tegen de aanslag en de tafel worden gedrukt. Schuif het werkstuk niet in het zaagblad, en zaag nooit zonder het vast te zetten.** Losse of bewegende werkstukken kunnen met hoge snelheid eruit worden geslingerd en tot letsel leiden.

- d. **Schuif de zaag door het werkstuk.** Voorkom dat u de zaag door het werkstuk trekt. Voor een zaagsnede tilt u de zaagkop op en trekt u hem zonder te zagen over het werkstuk. Vervolgens schakelt u de motor aan, zwenkt u de zaagkop naar beneden en drukt u de zaag door het werkstuk. Als u de zaag door het werkstuk trekt, bestaat het gevaar dat het zaagblad langs het werkstuk omhoog klimt en de zaagbladenheid met geweld in richting van de bediener wordt geslingerd.
- e. **Beweeg nooit uw hand boven de beoogde zaaglijn, niet voor en ook niet achter het zaagblad.** Het vasthouden van het werkstuk "met gekruiste handen", d.w.z. het vasthouden van het werkstuk rechts van het zaagblad met de linker hand of omgekeerd is zeer gevaarlijk.
- f. **Pak bij een draaiend zaagblad nooit achter de aanslag. Onderschrijd nooit een veiligheidsafstand van 100 mm tussen hand en draaiend zaagblad (geldt aan beide zijden van het zaagblad, bijv. bij het verwijderen van houtafval).** De omgeving van het draaiende zaagblad tot uw hand is mogelijk niet herkenbaar en u kunt zwaar letsel oplopen.
- g. **Controleer het werkstuk voor het zagen. Als het werkstuk gebogen of vervormd is, spant u het met de naar buiten gekromde kant richting de aanslag. Zorg er altijd voor, dat zich langs de zaaglijn geen spleet tussen werkstuk, aanslag en tafel is.** Gebogen en vervormde werkstukken kunnen zich draaien of verplaatsen en het vastklemmen van het draaiende zaagblad tijdens het zagen veroorzaken. Er mogen zich geen nagels of vreemde voorwerpen in het werkstuk bevinden.
- h. **Gebruik de zaag pas als er zich geen gereedschap, houtafval etc. meer op de tafel bevindt; Alleen het werkstuk mag zich op de tafel bevinden.** Klein afval, losse houtstukken of andere voorwerpen, die in contact komen met het draaiende blad, kunnen met hoge snelheid worden weggeslingerd.
- i. **Zaag nooit meerdere werkstukken tegelijk.** Meerdere gestapelde werkstukken kunnen niet goed worden gespannen of vastgehouden en kunnen tijdens het zagen het vastlopen van het blad veroorzaken.
- j. **Zorg ervoor dat de verstekafkortzaag voor gebruik op een vlakke, stevige ondergrond staat.** Een vlakke en stevige ondergrond vermindert het gevaar, dat de verstekafkortzaag instabiel wordt.
- k. **Plan uw werkzaamheden. Let er iedere keer als u de hoek van het zaagblad of de verstekhoek veranderd op, dat de instelbare aanslag juist geplaatst is en het werkstuk ondersteund, zonder met het blad of de beschermkap in contact te komen.** Zonder de machine in te schakelen en zonder werkstuk op de tafel dient een volledige zaagbeweging van zaagblad te worden gesimuleerd om ervoor te zorgen, dat er geen sprake is van beperkingen of het gevaar dat in de aanslag wordt gezaagd.
- l. **Zorg er bij werkstukken, die breder of langer dan het tafelblad zijn voor, dat ze goed worden ondersteund, bijv. door een taferverlenging of zaagborden.** Werkstukken die langer of breder dan de tafel van de verstekafkortzaag zijn, kunnen kantelen als ze niet goed worden ondersteund. Als een afgezaagd stuk hout of het werkstuk kantelt, kan het de onderste beschermkap optillen of ongecontroleerd door het draaiende blad worden weggeslingerd.
- m. **Laat u niet door andere personen als vervanging voor een taferverlenging of als extra ondersteuning helpen.** Een instabiele ondersteuning van het werkstuk tot de vastklemmen van het blad leiden. Ook kan het werkstuk tijdens het zagen verschuiven en u en uw hulp in het draaiende blad trekken.
- n. **Het afgezaagde stuk mag niet tegen het draaiende zaagblad worden gedrukt.** Als er weinig ruimte is, bijv. bij het gebruik van lange geleidingen, kan

- het afgezaagde stuk klem komen te zitten samen met het blad en met geweld worden weggeslingerd.
- o. **Gebruik altijd een klem of een geschikte installatie om rond materiaal zoals stangen of buizen correct te ondersteunen.** Stangen hebben de neiging tijdens het zagen weg te rollen waardoor het blad zich "vast bijt" en het werkstuk met uw hand in het blad kan worden getrokken.
 - p. **Laat het blad eerst zijn volle snelheid bereiken voordat u het werkstuk zaagt.** Dit vermindert het risico dat het werkstuk wordt weggeslingerd.
 - q. **Als het werkstuk vast wordt geklemd of het blad blokkeert, dient u de verstekafkortzaag uit te schakelen. Wacht totdat alle bewegende delen tot stilstand zijn gekomen, trek de stekker uit en/of haal de accu eruit. Verwijder vervolgens het vastgelopen materiaal.** Als u bij dergelijke blokkeringen verder zaagt, kunt u de controle verliezen of kan de verstekafkortzaag beschadigd raken.
 - r. **Laat na het zagen de schakelaar los, houd de zaagkop beneden en wacht totdat het zaagblad stil staat, voordat u het afgezaagde stuk verwijderd.** Het is zeer gevaarlijk met de hand in de buurt van het draaiende blad te komen.

5. Voor het eerste gebruik

Haal de machine en de accessoires uit de verpakking. Controleer de machine op transportschade en gebruik de machine niet in geval van schade. Houd het verpakkingsmateriaal uit de buurt van kinderen, risico op verstikking!

6. Inhoud van de verpakking

- 1× Accu radiaal afkort- en verstekzaag
- 1× Stofzak
- 1× Zaagblad 216 mm met 48 tanden (gemonteerd)
- 2× Sets verlengbalken
- 1× Gebruiksaanwijzing

7. Beoogd gebruik

De afkortzaag is bedoeld als machine voor het maken van rechte zaagsneden in hout, zonder dat er een lichtnetaansluiting nodig is. Het is mogelijk afkorthoeken van -45° tot +45° en schuine hoeken van 0° tot 45° te zagen. De afkortzaag is ontworpen met voldoende capaciteit voor het zagen van hard- en zachthout.

8. Instructies voor montage en afstelling

8.1 Assemblage

Steek de werkstuksteunen (7) in de gaten aan beide kanten van de afkortzaag. Draai de borgschroeven van de werkstuksteun (21) vast om de werksteunen op hun plaats te vergrendelen. Controleer dat de steunen goed op hun plaats blijven zitten. De afkortzaag wordt geleverd met een zaagblad.

8.2 Bediening

De afkortzaag moet aan een werkbank of zaagtafel worden bevestigd. Controleer dat alle kappen en veiligheidsvoorzieningen goed zijn gemonteerd en werkzaam zijn. Controleer dat de zaagkop niet is vergrendeld en vrij kan bewegen. Als deze niet vrij is, los dan de borgschroef voor schuiven (19) en duw de vergrendelpen (18) omlaag. Controleer vóór het plaatsen van de accu (13) dat het zaagblad (3) vrij kan draaien.

8.3 Stofafzuiging

Sluit de stofzak van de zaag of een geschikt stofafzuigstelsel aan op de aansluiting voor zaagstofafzuiging (11).

8.4 Plaatsen en verwijderen van het accupakket

Waarschuwing: Zorg ervoor dat de afkortzaag is uitgeschakeld voordat u het accupakket plaatst of verwijderd.

Merk op dat de zaag alleen juist werkt met de accu van 4,0 Ah.

Schuif het accupakket in de sleuf voor de accu aan de achterkant van de zaagkop. Lijn het accupakket uit met de basis van de accu aan de achterkant van de zaagkop en schuif het accupakket in de zaag, zodat het accupakket is op zijn plaats wordt vergrendeld, om het accupakket te plaatsen.

Druk voor het verwijderen van het accupakket op de ontgrendelknop van de accu en trek het accupakket er gelijktijdig uit.

8.5 Laserstraal

Waarschuwing! Laserstraling! Volg de veiligheidsvoorschriften op! Laserklasse 2.

De laserstraal wordt gebruikt voor het weergeven van de positie van de zaagsnede. Dan kan deze worden in- of uitgeschakeld met de schakelaar (14) op de bovenkant van de zaagmachine.

8.6 Ledwerkklamp

Voor extra verlichting van het werkstuk heeft de zaagmachine een ingebouwde LED-werkklamp. Dan kan deze worden in- of uitgeschakeld met de schakelaar (15) op de bovenkant van de zaagmachine.

8.7 Instellen van de hoek van de zaagsneden

Waarschuwing! Denk eraan om te controleren of de accu is verwijderd alvorens de instellingen te veranderen, om te voorkomen dat de machine onbedoeld start.

Maak altijd testzaagsneden na het instellen van de zaaghoeken.

8.8 Instellen van de verstekhoek

De verstekhoek is links/rechts traploos instelbaar tussen 0° en 45°. Draai om de verstekhoek in te stellen de verstekvergrendelingsknop (5) los. Verdraai de tafel en stel de gewenste verstekhoek in met de verstekhoekindicator (23). Draai de verstekvergrendelingsknop (5) vast.

8.9 Instellen van de afschuiningshoek

De afschuiningshoek is traploos instelbaar tussen 0° en 45°. Draai om de afschuiningshoek in te stellen de afschuiningsvergrendelingsknop (9) los. Kantel het zaagblad in de gewenste afschuiningshoek met de afschuiningsvergrendelingsknop (8). Draai de afschuiningsvergrendelingsknop weer (9) vast.

8.10 Instellen van de zaagdiepte

Indien gewenst kan de zaagdiepte worden aangepast. Zet hiervoor de schuifvergrendeling naar voren, zodat de diepteaanslag-schroef (12) deze raakt wanneer de zaag omlaag wordt gedrukt. Draai de borgmoer los op de diepte van de diepteaanslag-schroef (12). Breng de zaag naar beneden

naar de gewenste zaagdiepte. Stel de schroef omhoog of omlaag tot de gewenste zaagdiepte is bereikt. Draai de borgmoer weer vast op de diepte van de diepte-instelling (12).

9. Gebruik

9.1 Zagen

Zorg ervoor dat een accu van 4,0 Ah wordt opgeladen en juist wordt geplaatst.

Zet het werkstuk vast met de klem (4). Blijf uit de buurt van het draaiende zaagblad.

Zorg ervoor dat het zaagblad geen van de stuitplaten kan raken en stel de stuitplaten indien nodig af.

Als u van plan bent om een gebogen werkstuk te zagen, zorg er dan voor dat het werkstuk niet buigt tegen de stuitplaat. (Zie Afb. C.) Zorg ervoor dat er geen openingen ontstaan tussen het werkstuk, de stuitplaat en de voetplaat.

Lange werkstukken moeten op gepast wijze worden ondersteund, bijv. op een steun die van rollers is voorzien. Vermijd het vasthouden of geleiden van werkstukken op een manier die uw balans in gevaar brengt.

Druk om te zagen op een van de veiligheidsspallen (16) en druk dan op de aan-/uitschakelaar (17). Laat het zaagblad volledig op toeren komen voordat u de zaagkop voorzichtig naar beneden duwt. Als de machine volledig op toeren is, duw dan het bovenste deel van de zaag aan de handgreep omlaag. Zaag indien mogelijk altijd met een enkele, gelijkmatige beweging door het werkstuk. Het bovenste deel kan door onregelmatig gevormde werkstukken onverwacht terugslaan; houd daarom de handgreep stevig vast. Laat de aan-/uitschakelaar (17) los om de zaag te stoppen.

9.2 Samengestelde zaagsneden

Er kunnen samengestelde zaagsneden worden gemaakt door gelijktijdig iedere willekeurige combinatie van afkorting, schuine hoek en zaagdiepte in te stellen.

9.3 Invalzaagsneden

Waarschuwing! Zorg er vóór het zagen voor dat het werkstuk stevig is vastgeklemd op de voetplaat en tegen de achterste stuitplaat (20) steunt.

Deze zaagsnede wordt gebruikt als de breedte van het werkstuk kleiner is dan de zaaglengte van het zaagblad in de achterste stand. Duw de zaagkop volledig terug naar de geleidestuitplaat (20) en draai de borgschroef voor schuiven (19) vast.

Schakel de zaag in en wacht totdat het zaagblad volledig op toeren is. Duw de zaagkop voorzichtig naar het werkstuk totdat de zaagsnede is voltooid. Forceer het zaagblad niet. Schakel de zaag uit na voltooiing van de zaagsnede.

9.4 Schuivende zaagsneden

Waarschuwing! Zorg er vóór het zagen voor dat het werkstuk stevig op de draaitafel (22) is geklemd en tegen de achterste stuitplaat (20) steunt.

Waarschuwing! Een kromgetrokken of onregelmatige werkstuk kan het zaagblad tijdens het zagen klemmen en terugslag veroorzaken. Controleer dat het werkstuk altijd gelijkmatig tegen de achterste stuitplaat (20) steunt.

Deze zaagsnede wordt gebruikt als de breedte van het werkstuk groter is dan de zaaglengte van het zaagblad in de achterste stand.

Controleer dat de zaag zich in de achterste stand bevindt en controleer dat de borgschroef voor schuiven (19) niet is aangedraaid.

Trek de zaagkop in de bovenste stand naar buiten, zodat deze vrijkomt van het werkstuk.

Schakel de zaag in en wacht totdat het zaagblad volledig op toeren is. Duw de zaagkop voorzichtig naar het werkstuk totdat de zaagdiepte is bereikt. Forceer het zaagblad niet. Houd de zaagkop na het bereiken van de zaagdiepte op deze diepte en duw de zaagkop naar de achterste stand om de zaagsnede te voltooien. Forceer het zaagblad niet. Schakel de zaag uit na voltooiing van de zaagsnede.

9.5 Het vervangen van het zaagblad

Waarschuwing! Verwijder vóór het vervangen van het zaagblad altijd de accu. Gebruik uitsluitend zaagbladen met een nominaal toerental van 4200 tpm of hoger. Zorg ervoor dat de spindeldiameter en het gat in

het zaagblad overeenkomen. Gebruik uitsluitend scherpe en onbeschadigde zaagbladen. Gebarsten of gebogen zaagbladen moeten onmiddellijk worden vervangen.

Waarschuwing! Gelijkmatig gebruikte zaagbladen zijn scherp. Er bestaat bij het omgaan hiermee een risico op snijwonden. Behandel zaagbladen voorzichtig.

Zorg ervoor dat de accu is verwijderd.

Zet de kop van de machine in de hoogste stand. Trek de onderste beschermkap handmatig terug om het zaagblad vrij te maken. Houd de knop voor de spindelvergrendeling (25) ingedrukt, terwijl u het zaagblad met de hand draait totdat de knop voor de spindelvergrendeling volledig aangrijpt.

Plaats de meegeleverde inbussleutel met ingedrukte spindelvergrendeling in de spindelschroef. Draai de spindelschroef los door deze met de klok mee te draaien en verwijder hem. Open de beschermkap van het zaagblad handmatig en verwijder de buitenste flens, het oude zaagblad en de binnenste flens.

Reinig de flenzen met een poetslap. Monteer de binnenste flens weer. Monteer het nieuwe zaagblad, waarbij de richtingspijl overeenkomt met de pijl op de behuizing. Monteer de buitenste flens weer, plaats de spindelschroef en draai deze handvast.

Houd de knop voor de spindelvergrendeling ingedrukt, terwijl u het zaagblad met de hand draait totdat de knop voor de spindelvergrendeling volledig aangrijpt. Draai de spindelschroef weer vast met de meegeleverde inbussleutel, door tegen de klok in te draaien.

Controleer de werking van alle beschermkappen en zorg ervoor dat het zaagblad vast zit en vrij en volledig draait.

9.6 Draaghandgreep

De zaag is voorzien van een draaghandgreep (10). Zet de zaagkop in de neergelaten stand vast met de vergrendelpen (18) om deze te dragen.

10. Reiniging en onderhoud

10.1 Reiniging

- Houd veiligheidsvoorzieningen, ventilatieopeningen en de behuizing van de

motor zo goed mogelijk vrij van stof en vuil. Veeg de machine af met een schone doek of blaas hem uit met perslucht onder lage druk.

- Wij bevelen aan om de machine direct na ieder gebruik te reinigen.
- Reinig de machine regelmatig met een vochtige doek en een beetje zachte zeep. Gebruik geen reinigings- of oplosmiddelen; die kunnen de kunststof delen van de machine aantasten. Let erop dat er geen water in het binnenste van de machine kan komen.
- Verwijder de batterij voordat u reinigings- of onderhoudswerkzaamheden uitvoert.

10.2 Onderhoud

In het binnenwerk van de machine bevinden zich geen te onderhouden onderdelen.

11. Technische gegevens:

Nominale spanning: 18 V Li-Ion
 Onbelast toerental: 4200 min⁻¹
 Verstekhoek: 0 – 45°
 Afschuiningshoek: 0 – 45°
 Zaagblad afmetingen: . . . Ø 216 x 1,5 mm,
 middengat 30 mm
 Zaag capaciteit:
 0°/ 0°: 62 x 305 mm
 0°/45°: 62 x 210 mm
 45°/0°: 30 x 305 mm
 45°/45°: 30 x 210 mm
 Gewicht zonder accu: 12,8 kg
 Geluidsdrumniveau L_{PA}: 86,2 dB(A)
 Onzekerheid K_{PA}: 3 dB(A)
 Geluidsvermogeniveau L_{WA}: . . . 98,1 dB(A)
 Onzekerheid K_{WA}: 3 dB(A)

12. Afvalverwerking en hergebruik



De machine mag niet worden afgevoerd met het huishoudelijk afval.

De machine bevindt zich in een verpakking om transportschade te vermijden. Deze verpakking is grondstof en is dus herbruikbaar of kan weer in de grondstoffenkringloop teruggevoerd worden. De machine en zijn accessoires bestaan uit verschillende materialen, zoals bijv. metaal en kunststoffen. Voer defecte onderdelen af

als gevaarlijke stoffen. Vraag bij de vakhandel of op het gemeentehuis om meer informatie!

Het product en de gebruiksaanwijzing kunnen wijzigen. De technische gegevens kunnen zonder voorafgaande aankondiging worden gewijzigd.

12.1 Batterijen

Denk bij het afvoeren van batterijen aan de bescherming van het milieu. Neem voor milieuvriendelijke afvoer contact op met de lokale overheid.

13. EG-Conformiteitsverklaring

Hiermee verklaren wij, **Batavia B.V., Wethouder Wassebaliestraat 6d, NL-7951 SN Staphorst**, dat het apparaat **Accu radiaal afkort- en verstekzaag, Model BT-CMS001, Artikel Nr. 7063453** op grond van zijn ontwerp en bouwwijze en in de door ons in omloop gebrachte uitvoering voldoet aan de desbetreffend van toepassing zijnde fundamentele veiligheids- en gezondheidsvereisten van de EG-richtlijnen: **2014/30/EU** (Elektromagnetische compatibiliteit), **2006/42/EG** (Machines), **2011/65/EU**. Voor de evaluatie van de conformiteit zijn de volgende geharmoniseerde normen toegepast:

EN 62841-1:2015+AC
EN 62841-3-9:2015+AC
AfPS GS 2019:01
EN 55014-1:2006+A1+A2
EN 55014-2:1997+AC+A1+A2

Staphorst, 7 juli 2021

Technische documentatie bewaard door:
 Meino Seinen, Batavia B.V.,
 Weth.Wassebaliestraat 6d, 7951 SN
 Staphorst, Nederland

Het product en de gebruiksaanwijzing kunnen wijzigen. De technische gegevens kunnen zonder voorafgaande aankondiging worden gewijzigd.

Gentile cliente

Leggendo accuratamente tutti i capitoli del presente manuale nell'ordine presentato, potrà acquisire dimestichezza con il corretto uso del dispositivo. La invitiamo a conservare queste istruzioni di utilizzo per successive consultazioni.

Leggere le "Istruzioni di sicurezza generali per utensili elettrici" incluse e tutte le istruzioni di sicurezza aggiuntive nel presente manuale.

Il presente manuale contiene informazioni importanti sull'utilizzo e la gestione del dispositivo. La invitiamo a conservare queste istruzioni di utilizzo per successive consultazioni. In caso di trasferimento dell'unità a terzi, dovrà essere ceduto anche il manuale.

Batteria e caricabatterie non inclusi.

La batteria è disponibile separatamente, con il n. articolo: 7062518 (4 Ah). Il caricabatterie è disponibile separatamente con il n. articolo: 7063630 (1,65 A) o 7063554 (4 A).

Questi articoli sono disponibili online e nei negozi associati.

1. Spiegazione dei simboli

I seguenti simboli sono utilizzati nel manuale di istruzioni e sul prodotto:



Avviso! Per ridurre il rischio di lesioni, l'utente deve leggere le istruzioni del presente manuale.



Indica il rischio di lesioni personali, morte o danni all'apparecchio derivante dal mancato rispetto delle istruzioni contenute nel presente manuale.



Indossare sempre un dispositivo di protezione acustica. Gli effetti del rumore possono causare la perdita dell'udito.



Indossare una maschera antipolvere. Quando si lavora con legno e altri materiali, possono essere generate polveri nocive. Non è consentito lavorare con materiali contenenti amianto!



Indossare occhiali di sicurezza. Quando si lavora con utensili elettrici, possono essere generati scintille, schegge, trucioli e particelle di

polvere che possono causare la perdita della vista.



Attenzione: presenza di fascio laser! Non guardare direttamente il fascio laser. Non rivolgere il fascio laser verso persone o animali.



CE è l'abbreviazione di Conformità Europea e ha il significato di "Ai sensi dei regolamenti dell'Unione Europea". Attraverso la marcatura CE, il produttore attesta che il presente utensile elettrico è conforme alle direttive europee vigenti.



Non smaltire gli utensili elettrici con i normali rifiuti domestici.

2. Ulteriori avvertenze di sicurezza



Occorre prestare attenzione alle note di sicurezza generali incluse e a quelle seguenti per evitare malfunzionamenti, danni o lesioni fisiche:

- 2.1 Leggere attentamente il presente manuale e utilizzare l'unità attenendosi alle istruzioni in esso contenute.
- 2.2 (Vedere **Fig. B**) Non rivolgere il laser verso persone o animali. Tenere sempre l'utensile in modo che il fascio laser sia rivolto nella parte opposta rispetto al corpo. Non fissare il fascio laser. Può causare gravi lesioni agli occhi. Non rivolgere il laser verso specchi o altre superfici altamente riflettenti. Il fascio laser incontrollato potrebbe colpire persone o animali.
- 2.3 L'unità non è un giocattolo e non deve essere utilizzata dai bambini. Non lasciare l'unità incustodita durante l'uso. Tenerla fuori dalla portata dei bambini e di persone che necessitano di supervisione durante l'utilizzo. Sorvegliare i bambini per assicurarsi che non giochino con l'unità.
- 2.4 Le persone con limitate capacità fisiche, sensoriali o mentali non possono utilizzare la macchina, a meno che non siano sorvegliate e ricevano le informazioni necessarie per la sicurezza da una persona qualificata.
- 2.5 Non utilizzare l'unità se è danneggiata e farla riparare da un tecnico professioni-

sta, oppure contattare il nostro servizio di assistenza clienti. Non smontare l'unità e non provare a ripararla autonomamente.

3. Note specifiche per un uso sicuro delle troncatrici radiali e delle seghe circolari

- 3.1 Utilizzare sempre la lama adatta in funzione del materiale da tagliare.
- 3.2 Non usare lame danneggiate o deformate.
- 3.3 Gli inserti usurati della piastra di base devono essere sostituiti.
- 3.4 Utilizzare solo le lame raccomandate dal produttore e conformi allo standard EN 847-1. Non usare lame in acciaio ad alta velocità.
- 3.5 Se necessario, indossare adeguati dispositivi di protezione, come ad esempio dispositivi di protezione dell'udito, occhiali di sicurezza, una maschera antipolvere e guanti, per proteggere le mani durante la manipolazione di lame o materiali grossolani (ove possibile, le lame devono essere trasportate in un apposito contenitore). È importante ricordare che indossare guanti di protezione durante l'uso della sega può essere pericoloso e deve essere evitato.
- 3.6 Quando si taglia il legno, collegare sempre la troncatrice radiale ad un dispositivo di aspirazione della polvere.
- 3.7 Tenere le mani e le altre parti del corpo lontano dalla sega rotante.
- 3.8 Fissare tutti i pezzi da lavorare con l'apposito morsetto a vite presente sulla sega.
- 3.9 Prima di iniziare a tagliare, bloccare la piastra di base mobile e il braccio orientabile.
- 3.10 La superficie di appoggio dell'apparecchio deve essere regolare, pulita e priva di detriti, come ad esempio materiale di scarto.
- 3.11 Utilizzare solo seghe affilate, dritte e in buone condizioni. Rispettare la velocità di rotazione massima della lama.
- 3.12 Non sporgersi nell'area di lavoro per rimuovere pezzi o per qualsiasi altra

ragione mentre l'apparecchio è in funzione e il gruppo lame non è bloccato in posizione di riposo.

- 3.13 Assicurarsi che, ove possibile, l'apparecchio sia montato o fissato saldamente su un banco o un tavolo da lavoro.
- 3.14 Se si lavora su pezzi da lavorare particolarmente lunghi, si raccomanda di sostenerli utilizzando un supporto supplementare, come ad esempio un supporto a rulli.
- 3.15 Assicurarsi che non vi siano chiodi, viti o altro sul pezzo da lavorare.
- 3.16 Ispezionare periodicamente tutti i dadi, i bulloni e gli altri elementi di fissaggio e stringerli, se necessario.

4. Istruzioni di sicurezza per le troncatrici radiali

- a. **Le troncatrici radiali sono pensate per tagliare legno o altri prodotti simili al legno e non devono essere utilizzate con dischi di taglio abrasivi per tagliare materiali ferrosi, come ad esempio barre, tondini, borchie, ecc.**
La polvere generata dai dischi abrasivi potrebbe causare l'inceppamento delle parti mobili dell'apparecchio, come ad esempio la protezione inferiore. Le scintille generate dal taglio con dischi abrasivi potrebbero bruciare la protezione inferiore, l'inserto di taglio e altre parti in plastica.
- b. **Ove possibile, utilizzare dei morsetti per sostenere il pezzo da lavorare. Se il pezzo da lavorare viene sostenuto con la mano, si raccomanda di tenere la mano ad una distanza di almeno 100 mm su entrambi i lati della lama. Non usare la sega per tagliare pezzi troppo piccoli per essere fissati o supportati con la mano in modo sicuro.** Se si posiziona la mano troppo vicino alla lama, vi è una maggiore probabilità di lesioni a causa del contatto con la lama.
- c. **Il pezzo da lavorare deve essere stabile e fissato o appoggiato correttamente sulla barriera e sulla piastra di base. Non avvicinare per nessun**

- motivo il pezzo da lavorare alla lama o tagliare "a mano libera".** I pezzi da lavorare non stabili e non fissati correttamente potrebbero essere espulsi ad alta velocità, causando gravi lesioni.
- d. **Spingere la sega sul pezzo da lavorare. Non tirare la sega sul pezzo da lavorare. Per tagliare, sollevare la testa della sega e posizionarla sul pezzo da lavorare senza tagliare, avviare il motore, abbassare di nuovo la testa della sega e spingere la sega sul pezzo da lavorare.** Tagliando contro-senso, vi è la possibilità che la lama passi sopra al pezzo da lavorare e che il gruppo lama venga espulso violentemente verso l'operatore.
 - e. **Non passare mai con la mano sulla linea di taglio, né davanti né dietro la lama.** Sostenere il pezzo da lavorare incrociando le mani, cioè tenendo stretto il pezzo da lavorare a destra della lama con la mano sinistra e viceversa, è estremamente pericoloso.
 - f. **Non protendere le mani verso la barriera ad una distanza inferiore a 100 mm su entrambi i lati della lama per rimuovere pezzi di legno, né per nessun altro motivo, mentre la lama è in movimento.** Non è sempre facile stabilire quanto la lama rotante sia vicina alla mano e ciò può causare gravi lesioni.
 - g. **Controllare il pezzo da lavorare prima di iniziare a tagliare. Se il pezzo da lavorare è piegato o deformato, fissarlo con il lato esterno piegato rivolto verso la scanalatura di taglio. Assicurarsi che non vi sia dello spazio tra il pezzo da lavorare, la barriera e la piastra di base lungo la linea di taglio.** I pezzi da lavorare piegati o deformati possono torcersi o spostarsi e possono causare l'impuntamento della lama durante il taglio. Verificare che nel pezzo da lavorare non vi siano chiodi o altri corpi estranei.
 - h. **Non utilizzare la sega finché la piastra di base non è stata liberata da tutti gli attrezzi, gli scarti di legno, ecc., lasciando solo il pezzo da lavorare.** Piccoli detriti o pezzi di legno o altri oggetti che entrano in contatto con la lama rotante possono essere espulsi ad alta velocità.
 - i. **Tagliare un solo pezzo alla volta.** Più pezzi impilati uno sull'altro non possono essere correttamente fissati o sostenuti e possono piegarsi sulla lama o spostarsi durante il taglio.
 - j. **Prima dell'uso, assicurarsi che la troncatrice radiale sia montata o posizionata su una superficie di lavoro piana e stabile.** In questo modo si riduce il rischio che la troncatrice radiale si sposti e perda stabilità.
 - k. **Pianificare il lavoro. Ogni volta che viene modificata l'impostazione dell'angolo di smussatura o di troncatura, occorre assicurarsi che la barriera regolabile sia impostata correttamente in modo da sostenere il pezzo da lavorare e non interferire con la lama o il sistema di protezione.** Senza accendere l'utensile e senza alcun pezzo da lavorare sulla piastra di base, utilizzare la lama per eseguire un taglio simulato, in modo da assicurarsi che non ci siano interferenze e che non vi sia il rischio di tagliare la barriera.
 - l. **Garantire un adeguato supporto, ad esempio utilizzando estensioni della piastra di base, cavalletti, ecc. nel caso in cui il pezzo da lavorare sia più largo o più lungo del piano della piastra di base.** Pezzi da lavorare più lunghi o più larghi della piastra di base possono ribaltarsi se non vengono sostenuti correttamente. Se il pezzo da tagliare o da lavorare si ribalta, potrebbe causare il sollevamento della protezione inferiore o essere espulso dalla lama rotante.
 - m. **Non utilizzare altre persone per sostenere il pezzo da lavorare, in sostituzione dell'estensione della piastra o del supporto supplementare.** Se il pezzo da lavorare non è sostenuto in modo stabile, la lama potrebbe piegarsi e il pezzo da lavorare potrebbe spostarsi durante il taglio, trascinando l'operatore e l'aiutante verso la lama rotante.

- n. **Il pezzo da tagliare non deve essere bloccato o spinto in alcun modo contro la lama rotante.** Se limitato nel movimento, ad esempio usando dei fermi di lunghezza, il pezzo da tagliare potrebbe incastrarsi contro la lama ed essere espulso violentemente.
- o. **Utilizzare sempre un morsetto o un simile sistema di fissaggio per supportare adeguatamente materiali rotondi, come ad esempio tondini o tubi.** I tondini tendono a rotolare durante il taglio e, a causa di ciò, la lama potrebbe "saltare" e trascinare il pezzo da lavorare e la mano dell'operatore verso la lama.
- p. **Lasciare che la lama raggiunga la massima velocità prima di appoggiarla sul pezzo da lavorare.** In questo modo si riduce il rischio di espulsione del pezzo da lavorare.
- q. **Se il pezzo da lavorare o la lama si inceppano, spegnere la troncatrice radiale. Attendere che tutte le parti mobili si arrestino, quindi scollegare la spina dall'alimentazione e/o rimuovere il gruppo batteria. A questo punto, eliminare il materiale inceppato.** Continuare a tagliare con il pezzo da lavorare inceppato potrebbe causare la perdita di controllo o il danneggiamento della troncatrice radiale.
- r. **Una volta eseguito il taglio, rilasciare l'interruttore, tenere abbassata la testa della sega e attendere che la lama si arresti prima di rimuovere il pezzo tagliato.** Protendere la mano verso la lama in movimento è pericoloso.

5. Operazioni preliminari al primo uso del prodotto

Rimuovere il dispositivo e gli accessori dalla confezione. Tenere il materiale di imballaggio fuori della portata dei bambini. Sussiste il rischio di soffocamento.

6. Contenuto della confezione

- 1 troncatrice radiale senza fili
- 1 contenitore di raccolta della polvere
- 1 lama a 48 denti da 216 mm (assemblata)

- 2 set di barre di estensione
- 1 manuale di istruzioni

7. Destinazione d'uso

La troncatrice radiale è pensata per eseguire tagli dritti su superfici in legno senza la necessità di collegarla alla rete di alimentazione. È possibile eseguire tagli con angoli di troncatrice compresi tra -45° e +45° e angoli di smussatura compresi tra 0° e 45°. La troncatrice radiale è stata progettata con una capacità sufficiente per tagliare sia il legno duro sia il legno morbido.

8. Istruzioni di montaggio e regolazione

8.1 Montaggio

Inserire i supporti (7) del pezzo da lavorare nei fori su entrambi i lati della troncatrice radiale. Stringere le viti di bloccaggio (21) del supporto del pezzo da lavorare per bloccare i supporti in posizione. Controllare che i supporti siano stabili. La troncatrice radiale viene fornita con una lama.

8.2 Uso

La troncatrice radiale deve essere fissata su un banco o un tavolo da lavoro. Verificare che tutte le coperture e i dispositivi di sicurezza siano stati installati correttamente e siano in buone condizioni.

Controllare che la testa della sega non sia bloccata e sia libera di muoversi. In caso contrario, svitare le viti di bloccaggio scorrevole (19) e il perno di bloccaggio (18) della testa in posizione abbassata. Prima di inserire la batteria (13) controllare che la lama (3) possa ruotare liberamente.

8.3 Aspirazione della polvere

Il contenitore di raccolta della polvere o il sistema di estrazione della polvere devono essere collegati alla porta di estrazione della polvere (11) della sega.

8.4 Inserimento e rimozione del gruppo batteria

Avvertenza: Prima di inserire o rimuovere il gruppo batteria, assicurarsi che la troncatrice radiale sia spenta.

È importante ricordare che la sega funziona correttamente solo con una batteria da 4,0 Ah.

Inserire il gruppo batteria nello slot per batteria situato nella parte posteriore della testa della sega. Per inserire il gruppo batteria, allineare il gruppo batteria alla base della batteria nella parte posteriore della testa della sega e fare scorrere il gruppo batteria all'interno della sega fino a quando si blocca in posizione.

Per rimuovere il gruppo batteria, premere il pulsante di rilascio della batteria e nello stesso tempo estrarre il gruppo batteria.

8.5 Fascio laser

Avviso! Radiazione laser! Osservare le note di sicurezza! Laser classe 2. Il fascio laser viene usato per indicare la posizione del taglio sul pezzo da lavorare. Può essere acceso o spento usando l'interruttore (14) nella parte superiore del corpo della sega.

8.6 Luce da lavoro LED

La sega è dotata di una luce da lavoro LED integrata per illuminare ulteriormente il pezzo da lavorare. Può essere acceso o spento usando l'interruttore (15) nella parte superiore del corpo della sega.

8.7 Impostazione degli angoli di taglio

Avviso! Prima di effettuare qualunque regolazione delle impostazioni, verificare che la batteria sia stata rimossa per evitare l'avvio accidentale.

Una volta impostati gli angoli, eseguire sempre dei tagli di prova.

8.8 Impostazione degli angoli di troncatura

L'angolo di troncatura varia in modo continuo tra 0° e 45° a destra e a sinistra. Per impostare l'angolo di troncatura, allentare la manopola di blocco della posizione della troncatrice (5). Ruotare la piastra di base e impostare l'angolo di troncatura desiderato utilizzando la scala dell'indicatore dell'angolo di troncatura (23). Una volta eseguita la regolazione, stringere nuovamente la manopola di blocco della posizione della troncatrice (5).

8.9 Impostazione dell'angolo di smussatura

L'angolo di smussatura varia in modo continuo tra 0° e 45°. Per impostare l'angolo di smussatura, allentare la manopola di

blocco della posizione di smussatura (9). Inclinare la testa di taglio e impostare l'angolo di smussatura desiderato utilizzando la scala dell'indicatore dell'angolo di smussatura (8). Una volta eseguita la regolazione, stringere nuovamente la manopola di blocco della posizione di smussatura (9).

8.10 Impostazione della profondità di taglio

Se necessario, è possibile regolare la profondità di taglio. Per fare ciò, portare in avanti il perno di blocco scorrevole, in modo che la vite di regolazione della profondità di taglio (12) entri in contatto con il perno quando la testa della sega viene abbassata. Allentare il dado di bloccaggio in corrispondenza della vite di regolazione della profondità di taglio (12). Abbassare gentilmente la testa della sega alla profondità di taglio desiderata. Regolare la vite verso l'alto o verso il basso per ottenere la profondità di taglio desiderata. Stringere nuovamente il dado di bloccaggio in corrispondenza della regolazione della profondità di taglio (12).

9. Uso

9.1 Taglio

Assicurarsi che la batteria da 4,0 Ah sia carica e installata correttamente.

Fissare il pezzo da lavorare con il morsetto (4). Tenersi a distanza dalla lama rotante. Assicurarsi che la lama non tocchi le barriere e regolare queste ultime, se necessario.

Se si desidera tagliare un pezzo curvo, assicurarsi di non rivolgere la curvatura verso la barriera (vedere Fig. C.) Assicurarsi che non si formi dello spazio tra il pezzo da lavorare, la barriera e la piastra di base.

I pezzi da lavorare più lunghi devono essere sostenuti in modo adeguato, ad esempio con un supporto dotato di ruote. Non afferrare o spostare i pezzi da lavorare in modo da perdere l'equilibrio durante il lavoro.

Per eseguire il taglio, spingere uno dei fermi di sicurezza (16) e azionare l'interruttore di accensione/spengimento (17). Lasciare che la lama raggiunga la massima velocità prima di abbassare lentamente la testa della sega. Una volta che l'apparecchio ha rag-

giunto la massima velocità, abbassare la parte superiore della sega afferrando l'impugnatura. Ove possibile, tagliare il pezzo da lavorare con un unico movimento regolare. I pezzi da lavorare di forma irregolare possono causare il contraccolpo improvviso della parte superiore, quindi si raccomanda di tenere saldamente l'impugnatura. Per arrestare la sega, rilasciare l'interruttore di accensione/spegnimento (17).

9.2 Tagli compositi

Per eseguire tagli compositi, impostare la profondità di troncatura, smussatura e taglio contemporaneamente.

9.3 Tagli dal pieno

Avviso! Prima di eseguire il taglio, assicurarsi che il pezzo da lavorare sia fissato saldamente sulla piastra di base e sia appoggiato alla barriera posteriore (20).

Questo tipo di taglio viene praticato quando la larghezza del pezzo da lavorare è inferiore alla larghezza di taglio della lama nella posizione più arretrata. Spingere la testa della sega completamente all'indietro verso la barriera guida (20) e stringere la vite di bloccaggio scorrevole (19).

Accendere la sega e attendere che la lama raggiunga la massima velocità. Abbassare delicatamente la testa della sega sul pezzo da lavorare e iniziare a tagliare. Non sforzare la lama. Una volta completato il taglio, spegnere la sega.

9.4 Tagli scorrevoli

Avviso! Prima di eseguire il taglio, assicurarsi che il pezzo da lavorare sia supportato o fissato saldamente sulla piastra di base girevole (22) e sia appoggiato alla barriera posteriore (20).

Avviso! Un pezzo da lavorare deformato o irregolare può fare inceppare la lama durante il taglio e causare un contraccolpo. Controllare che il pezzo da lavorare sia appoggiato in modo uniforme alla barriera posteriore (20).

Questo tipo di taglio viene praticato quando la larghezza del pezzo da lavorare è maggiore della larghezza di taglio della lama nella posizione più arretrata.

Controllare che la sega si trovi nella posizione più arretrata e verificare che la vite di bloccaggio scorrevole (19) sia allentata.

Sollevarre ed estrarre la testa della sega, in modo da rilasciare il pezzo da lavorare.

Accendere la sega e attendere che la lama raggiunga la massima velocità. Abbassare delicatamente la testa della sega sul pezzo da lavorare fino a raggiungere la profondità di taglio desiderata. Non sforzare la lama. Una volta impostata la profondità di taglio, mantenere la testa a questa profondità e spingerla nella posizione più arretrata per completare il taglio. Non sforzare la lama. Una volta completato il taglio, spegnere la sega.

9.5 Sostituzione della lama

Avviso! Prima di sostituire la lama, rimuovere sempre la batteria. Usare solo lame con una velocità nominale di 4200 giri/min o superiore. Assicurarsi che il diametro del mandrino e il foro della lama corrispondano. Utilizzare solo lame affilate e non danneggiate. Le lame rotte o piegate devono essere sostituite immediatamente.

Avviso! Anche le lame usurate sono affilate. Fare attenzione durante la manipolazione, poiché vi è il rischio di tagliarsi. Maneggiare le lame con la massima attenzione.

Assicurarsi che la batteria sia stata rimossa.

Portare la testa della sega nella posizione più alta. Ritrarre manualmente la protezione inferiore in modo da esporre la lama. Premere e tenere premuto il pulsante di blocco del mandrino (25) e fare ruotare la lama manualmente fino a quando il pulsante di blocco del mandrino scatta in posizione.

Tenendo premuto il pulsante di blocco del mandrino, posizionare la chiave a brugola fornita in dotazione sulla vite del mandrino. Allentare la vite del mandrino e rimuoverla ruotandola in senso orario. Aprire manualmente il coprilama e rimuovere la flangia esterna, la vecchia lama e la flangia interna. Pulire le flange con un panno. Rimontare la flangia interna. Installare la nuova lama facendo corrispondere la freccia di indicazione della direzione alla freccia raffigurata nell'alloggiamento. Rimontare la flangia

esterna, inserire la vite del mandrino e stringere manualmente.

Tenere premuto il pulsante di blocco del mandrino e far ruotare la lama manualmente fino a quando il pulsante di blocco del mandrino scatta in posizione. Stringere nuovamente la vite del mandrino utilizzando la chiave a brugola fornita in dotazione, ruotandola in senso antiorario.

Controllare che tutte le protezioni siano in buone condizioni e assicurarsi che la lama sia fissata saldamente e possa muoversi liberamente.

9.6 Maniglia per il trasporto

Questa sega è dotata di una maniglia per il trasporto (10). Quando si trasporta la sega, fissarne la testa nella posizione più bassa utilizzando il perno di bloccaggio (18).

10. Pulizia e manutenzione

10.1 Pulizia

- Tenere i dispositivi di sicurezza, aperture di ventilazione e la carcassa del motore il più possibile liberi da sporco e polvere. Strofinare l'utensile elettrico con un panno pulito o soffiare su di esso con aria compressa a bassa pressione.
- Si consiglia di pulire l'utensile elettrico immediatamente dopo l'uso.
- Pulire l'utensile elettrico regolarmente con un panno umido e un sapone delicato. Non utilizzare materiali di pulizia o solventi, questi possono attaccare i componenti in plastica del dispositivo. Assicurarsi che l'acqua non possa entrare all'interno dell'utensile elettrico.
- Rimuovere la batteria prima della pulizia o di qualunque intervento di manutenzione.

10.2 Manutenzione

Non sono presenti parti interne dell'utensile che richiedono manutenzione.

11. Dati tecnici

Tensione batteria:	...ioni di litio da 18 V
Velocità senza carico:	... 4200 min ⁻¹
Angolo di troncatura:	... 0 – 45°
Angolo di smussatura:	... 0 – 45°
Dimensioni lame:	... Ø 216 x 1,5 mm, ... foro centrale 30 mm
Capacità di taglio:	... 0°/0°: 62 x 305 mm ... 0°/45°: 62 x 210 mm ... 45°/0°: 30 x 305 mm ... 45°/45°: 30 x 210 mm
Peso senza batteria:	... 12,8 kg
Livello di pressione sonora ponderata L _{PA} :	... 86,2 dB(A)
Incertezza K _{PA} :	... 3 dB(A)
Livello di potenza sonora ponderata L _{WA} :	... 98,1 dB(A)
Incertezza K _{WA} :	... 3 dB(A)

12. Smaltimento



Non smaltire gli utensili elettrici con i normali rifiuti domestici.

L'utensile elettrico viene spedito in una confezione per ridurre i danni dovuti al trasporto.

Questo imballaggio è una materia prima e come tale può o essere riutilizzata o può essere reimpressa nel ciclo delle materie prime. L'utensile elettrico e i relativi accessori sono realizzati in vari materiali come metalli e plastiche. Portare i componenti difettosi a un punto di raccolta dei rifiuti. Chiedete informazioni su questi punti di raccolta al vostro negozio specializzato o Comune.

12.1 Batterie

Smaltire le batterie rispettando le norme di protezione ambientale. Contattare le autorità locali per sapere dove si trova il centro di smaltimento batterie più vicino. Non smaltire le batterie con i rifiuti domestici. Non smaltire le batterie bruciandole, altrimenti potrebbero esplodere.

13. Dichiarazione di conformità CE

Noi sottoscritti **Batavia B.V., Weth. Wassebaliestraat 6d, NL-7951 SN Staphorst**, dichiara sotto la sua piena responsabilità che la **troncatrice radiale senza fili, numero articolo 7063453, modello BT-CMS001** soddisfa i requisiti essenziali definiti nella **Direttiva europea sulla Compatibilità Elettromagnetica 2014/30/UE (CEM)**, la **Direttiva 2006/42/CE (Direttiva Macchine)**, la **direttiva RoHS: 2011/65/EU** e loro modifiche. Per la valutazione di conformità, sono stati consultati i seguenti standard armonizzati europei:

EN 62841-1:2015+AC

EN 62841-3-9:2015+AC

AfPS GS 2019:01

EN 55014-1:2006+A1+A2

EN 55014-2:1997+AC+A1+A2

Staphorst, 7 luglio 2021



Meino Seinen, Rappresentante QA
Batavia B.V., Weth. Wassebaliestraat 6d,
7951 SN Staphorst, Paesi Bassi

Il prodotto e il manuale dell'utente possono essere soggetti a modifiche. I dati tecnici possono essere modificati senza preavviso.

Estimado cliente:

Familiarícese con el uso adecuado del aparato leyendo todos los capítulos de este manual en el orden en el que se presentan. Conserve estas instrucciones para poder consultarlas con posterioridad.

¡Lea el documento «Instrucciones generales de seguridad en materia de herramientas eléctricas» adjunto y todas las instrucciones de seguridad adicionales en estas instrucciones de uso!

Esta manual contiene información importante acerca de cómo operar y manipular el aparato. Conserve estas instrucciones para poder consultarlas con posterioridad. Si le cede el aparato a un tercero, entréguele también este manual.

¡La batería y el cargador no se incluyen!

La batería debe adquirirse por separado. N.º de artículo de la batería: 7062518 (4Ah). El cargador de la batería debe adquirirse por separado. N.º de artículo de la batería: 7063630 (1,65 A) o 7063554 (4 A).

Estos artículos están disponibles en línea y en las tiendas autorizadas.

1. Explicación de los símbolos

Los símbolos siguientes aparecen en el manual de usuario o en el producto:



¡Advertencia! Lea el manual de instrucciones para reducir el riesgo de lesiones personales.



Indica el riesgo de lesiones personales, muerte o daño de la herramienta en caso de no observar las instrucciones recogidas en este manual.



Siempre utilice protectores auditivos. La exposición al ruido puede causar pérdida de la audición.



Utilice una mascarilla antipolvo. Al trabajar con madera y otros materiales, es posible que se genere polvo perjudicial. ¡No está permitido trabajar con materiales que contengan asbesto!



Utilizar gafas de seguridad. Al trabajar con herramientas eléctricas, se pueden generar chispas, astillas y partículas de polvo que pueden causar la pérdida de la visión.



Precaución: ¡Haz de láser! No mire directamente el haz de láser. No apunte el haz de láser a personas ni animales.



El marcado CE (Conformidad Europea) es indicativo de que se cumple con las normativas de la UE. Con el marcado CE, el fabricante confirma que esta herramienta eléctrica cumple con las directivas europeas aplicables.



No deseche las herramientas eléctricas junto a los residuos domésticos.

2. Advertencias de seguridad adicionales



Tenga en cuenta las notas generales en materia de seguridad y la siguiente información de seguridad para evitar un mal funcionamiento, daños o lesiones personales:

- 2.1 Lea detenidamente este manual y solo use la unidad de conformidad con este.
- 2.2 (Consulte la **Fig. B**) Nunca apunte el láser a personas ni animales. Siempre sujete la unidad de tal manera que el haz de láser no apunte al cuerpo. Nunca mire fijamente el haz de láser. De lo contrario, podría sufrir lesiones oculares graves. No apunte el láser hacia espejos ni a otra superficie fuertemente reflectante. Un haz desviado incontroladamente puede incidir sobre personas o animales.
- 2.3 Esta unidad no es un juguete, por lo que no debe estar a disposición de los niños. Nunca deje la unidad en funcionamiento sin supervisión. Manténgala fuera del alcance de los niños o de las personas que necesiten supervisión. Asegúrese de que los niños cuenten con la debida supervisión y que no jueguen con el aparato.
- 2.4 Las personas con discapacidad (física, sensorial o mental) no pueden usar la máquina a menos que cuenten con la debida supervisión e información por parte de una persona cualificada que vele por su seguridad.

- 2.5 Si la unidad se daña, deje de utilizarla y encargue su reparación a un profesional o póngase en contacto con nuestro equipo de Asistencia al Cliente. No desarme la unidad ni trate de repararla por su cuenta.

3. Instrucciones especiales de seguridad relativas a las sierras tronzadoras y las sierras ingletadoras

- 3.1 Siempre utilice la hoja de sierra correcta en función del material que desea cortar.
- 3.2 No utilice hojas de sierra dañadas ni torcidas.
- 3.3 Los insertos desgastados de la placa base deben reemplazarse.
- 3.4 Utilice únicamente hojas de sierra recomendadas por el fabricante y conformes con la norma EN 847-1. No utilice hojas de sierra HSS.
- 3.5 Si fuera necesario, utilice un equipo de protección adecuado. El equipo ha de incluir protectores auditivos, gafas de seguridad, mascarilla antipolvo y guantes para proteger las manos al manipular las hojas de sierra o los materiales ásperos (siempre que sea posible, las hojas de sierra deben transportarse en un contenedor). Tenga en cuenta que el uso de guantes mientras se usa la sierra constituye un riesgo de seguridad que debe evitarse.
- 3.6 Al cortar madera, siempre conecte la sierra ingletadora a un extractor de polvo.
- 3.7 Mantenga las manos y cualquier parte del cuerpo alejadas de la hoja de sierra en movimiento.
- 3.8 Asegure todas las piezas de trabajo con el sargento de la sierra.
- 3.9 Antes de comenzar un corte, bloquee la placa base móvil y el brazo pivotante.
- 3.10 El suelo alrededor de la máquina debe ser plano y estar limpio y libre de residuos como piezas de chatarra.
- 3.11 Utilice únicamente hojas de sierra en buenas condiciones, afiladas y sin tor-

ceduras. No exceda el número máximo de revoluciones de la hoja de sierra.

- 3.12 No extienda las manos hacia el área de trabajo para retirar piezas ni por ninguna otra razón con la herramienta en funcionamiento y asegurarse de que el conjunto de la sierra esté bloqueado en la posición de reposo.
- 3.13 Asegúrese de que la herramienta esté firmemente montada o sujeta a una mesa o banco de trabajo siempre que sea posible.
- 3.14 Las piezas de trabajo largas deben apoyarse con un soporte adicional como un soporte de rodillo.
- 3.15 Asegúrese de que no haya clavos, tornillos ni objetos similares en la pieza de trabajo.
- 3.16 Revise periódicamente todas las tuercas, pernos y otras sujeciones, apretando cuando sea necesario.

4. Instrucciones de seguridad en materia de sierras ingletadoras

- a. **Las sierras ingletadoras están diseñadas para cortar madera o productos similares a la madera, por lo que no pueden usarse con ruedas de corte abrasivas para cortar materiales ferrosos como barras, varas, clavos, etc.** El polvo abrasivo puede llegar a atascar la piezas móviles como el protector inferior. Las chispas generadas durante los cortes abrasivos pueden quemar el protector inferior, el inserto de corte y otras piezas de plástico.
- b. **Utilice sargentos para asegurar la pieza de trabajo siempre que sea posible. En caso de sujetar la pieza de trabajo con la mano, siempre manténgala a una distancia de al menos 100 mm de cada lado de la hoja de sierra. No utilice esta sierra para cortar piezas demasiado pequeñas que no se puedan sujetar con sargentos o con las manos.** Colocar las manos demasiado cerca de la hoja de sierra aumenta el riesgo de lesión debido al contacto con la hoja.
- c. **La pieza de trabajo debe permanecer inmóvil y sujeta contra la pantalla y**

- la placa. No dirija la pieza de trabajo hacia la hoja ni realice cortes de ningún tipo a mano alzada.** Las piezas de trabajo sueltas o en movimiento pueden salir lanzadas a gran velocidad y causar lesiones.
- d. **Empuje la sierra a través de la pieza de trabajo. No tire de la sierra atravesando la pieza de trabajo. Para realizar un corte, levante el cabezal de la sierra y tire de él por encima de la pieza de trabajo sin cortar, arranque el motor, presione el cabezal de la sierra hacia abajo y empuje la sierra a través de la pieza de trabajo.** Cortar sobre la carrera tirando de la sierra puede causar que la hoja de sierra se suba sobre la pieza de trabajo y hacer retroceder la sierra hacia el operador (efecto rebote).
- e. **Nunca cruce sus manos más allá de la línea de corte prevista, ya sea por delante o por detrás de la hoja de sierra.** Resulta muy peligroso apoyar la pieza de trabajo «con las manos cruzadas», por ejemplo, sujetar la pieza de trabajo a la derecha de la hoja de sierra con la mano izquierda o viceversa.
- f. **No acerque las manos más de 100 mm por detrás de la pantalla, desde ninguno de los lados de la hoja de sierra, para retirar trozos de madera ni por ninguna otra razón cuando la hoja de sierra está girando.** Podría no percatarse de la proximidad de su mano a la hoja de sierra y lesionarse gravemente.
- g. **Inspeccione la pieza de trabajo antes de cortarla. Si la pieza de trabajo está doblada o torcida, asegúrela con la cara doblada exterior hacia la pantalla. Siempre asegúrese de que no haya ningún espacio libre entre la pieza de trabajo, la pantalla y la placa a lo largo de la línea de corte.** Las piezas de trabajo curvadas o torcidas pueden retorcerse o desplazarse y atascarse en la hoja de sierra en movimiento durante el corte. No debe haber clavos ni objetos extraños en la pieza de trabajo.
- h. **No utilice la sierra hasta haber despejado la mesa de herramientas, maderas, trozos de materiales, etc., a excepción de la pieza de trabajo.** Los residuos pequeños, las piezas sueltas de madera u otros objetos que entren en contacto con la hoja en movimiento pueden salir lanzados a gran velocidad.
- i. **Corte solo una pieza de trabajo a la vez.** No es posible sujetar o apuntalar múltiples piezas de trabajo apiladas, ya que podrían causar un atascamiento o desplazamiento de la sierra durante el corte.
- j. **Asegúrese de que la sierra ingletadora esté montada o colocada sobre una superficie de trabajo nivelada y firme antes de usarla.** Una superficie de trabajo firme y nivelada reduce el riesgo de que la sierra ingletadora pierda estabilidad.
- k. **Planifique su trabajo. Cada vez que cambie el ajuste del ángulo de bisel o en inglete, asegúrese de que la pantalla ajustable esté bien colocada para soportar la pieza de trabajo y que no interfiera con la hoja o el sistema de protección.** Con la herramienta apagada y sin ninguna pieza de trabajo sobre la placa, mueva la hoja de sierra a lo largo de un corte simulado completo para asegurarse de que no haya interferencias ni peligro de cortar la pantalla.
- l. **Proporcione un soporte adecuado, como extensiones de mesa, caballetes, etc., a la piezas de trabajo que sean más anchas y largas que la parte superior de la placa de soporte.** Las piezas de trabajo más largas o anchas que la placa de la sierra ingletadora pueden inclinarse si no se apoyan de forma segura. Si la pieza de corte o pieza de trabajo se inclina, podría levantar el protector inferior o salir lanzada por la acción de la hoja en rotación.
- m. **No utilice a otra persona para sustituir una extensión de mesa o como soporte adicional.** Si la pieza de trabajo no cuenta con un soporte estable, la hoja podría atascarse o la pieza de trabajo podría desplazarse durante el corte y tirar de usted y del ayudante hacia la hoja en movimiento.

- n. **Evite atascar la pieza de corte o presionarla de algún modo contra la hoja de sierra en movimiento.** En caso de alguna restricción, por ejemplo, el uso de topes longitudinales, la pieza de corte podría acuñarse contra la hoja y rebotar violentamente.
- o. **Siempre utilice un sargento o un accesorio diseñado para sujetar adecuadamente los materiales redondos como las varas y los tubos.** Las varas tienden a rodar mientras se cortan, lo que ocasiona que la hoja «muerda» y tire de la pieza de trabajo con su mano hacia la hoja.
- p. **Permita que la hoja alcance la velocidad máxima antes de que entre en contacto con la pieza de trabajo.** Así, se reduce el riesgo de lanzamiento de la pieza de trabajo.
- q. **Si se atasca la pieza de trabajo o la hoja, apague la sierra ingletadora. Espere a que todas las piezas en movimiento se detengan y desconecte el enchufe de la toma y/o saque la batería. A continuación, desatase el material.** Si continúa aserrando una pieza de trabajo atascada, podría perder el control de la herramienta o dañarla.
- r. **Una vez finalizado el corte, suelte el interruptor, mantenga el cabezal de la sierra hacia abajo y espere hasta que la hoja se detenga antes de retirar la pieza de corte.** Extender la mano hasta la hoja en movimiento es peligroso.

5. Antes de usar por primera vez

Saque la herramienta y todos los accesorios del paquete. Mantenga el material de embalaje fuera del alcance de los niños. ¡Dicho material entraña un riesgo de asfixia!

6. Contenido del paquete

- 1 Sierra ingletadora deslizante inalámbrica
- 1 depósito de polvo
- 1 hoja de sierra de 48 dientes y 216 mm (ensamblada)
- 2 juegos de barras de extensión
- 1 manual de instrucciones

7. Uso previsto

La sierra ingletadora ha sido diseñada para realizar cortes rectos en madera, sin necesidad de conectarla a una toma de red. Es posible cortar ángulos en inglete de -45° a 45° y ángulos de bisel de 0° a 45°. La sierra ingletadora cuenta con la capacidad suficiente para aserrar maderas duras y blandas.

8. Instrucciones de ensamblaje y ajuste

8.1 Montaje

Inserte los soportes de la pieza de trabajo (7) en los agujeros a ambos lados de la sierra ingletadora. Apriete los tornillos de bloqueo (21) de los soportes de la pieza de trabajo para asegurarlos en posición. Compruebe que los soportes estén sujetos firmemente. La sierra ingletadora se suministra con una hoja de sierra.

8.2 Utilización

La sierra ingletadora debe asegurarse a un banco de trabajo o a una mesa de aserrado. Compruebe que todas las cubiertas y los dispositivos de seguridad estén debidamente instalados y operativos.

Compruebe que el cabezal de la sierra no esté bloqueado y que se mueva libremente. En caso contrario, quite el tornillo de bloqueo del deslizamiento (19) y baje el pasador de bloqueo (18). Antes de insertar la batería (13), compruebe que la hoja de sierra (3) pueda girar libremente.

8.3 Extracción de polvo

Debe conectarse el depósito de recogida del polvo o un sistema de extracción del polvo al puerto de extracción del polvo de la sierra (11).

8.4 Inserción y extracción de la baterías
Advertencia: Antes de insertar o retirar la batería, asegúrese de que la sierra ingletadora esté apagada.

Tenga en cuenta que la sierra solo funcionará correctamente con una batería de 4,0 Ah.

Deslice la batería en la ranura prevista para ello en la parte posterior del cabezal de la sierra. Para insertar la batería, alinéela con

la base para la batería en la parte posterior del cabezal de la sierra y deslícela en la sierra, de manera que calce en posición. Para retirar la batería, pulse el botón de liberación de la batería y tire del conjunto de baterías al mismo tiempo.

8.5 Haz de láser

¡Advertencia! ¡Radiación láser! ¡Observe las instrucciones de seguridad! Láser de clase 2. El haz de láser se usa para mostrar la posición del corte en la pieza de trabajo. Puede encenderse o apagarse mediante el interruptor (14) en la parte superior de la carcasa de la sierra.

8.6 Lámpara led de trabajo

La sierra cuenta con una lámpara led de trabajo integrada para proporcionar una iluminación adicional a la pieza de trabajo. Puede encenderse o apagarse mediante el interruptor (15) en la parte superior de la carcasa de la sierra.

8.7 Ajuste de los ángulos de corte

¡Advertencia! Antes de realizar cualquier cambio en los ajustes, compruebe haber extraído la batería, de manera de evitar una puesta en marcha accidental. Siempre que ajuste los ángulos, realice una prueba de corte.

8.8 Ajuste del ángulo en inglete

El ángulo en inglete se puede variar progresivamente de izquierda a derecha entre 0° y 45°. Para establecer el ángulo en inglete, afloje la clavija de bloqueo de la posición del inglete (5). Gire la placa y ajuste el ángulo en inglete requerido usando la escala del calibrador del ángulo en inglete (23). Apriete la clavija de bloqueo de la posición del inglete (5).

8.9 Ajuste del ángulo de bisel

El ángulo de bisel se puede variar progresivamente entre 0° y 45°. Para establecer el ángulo de bisel, afloje la clavija de bloqueo de la posición del bisel (9). Inclíne el cabezal de corte hasta obtener el ángulo de bisel requerido usando la escala del calibrador del ángulo de bisel (8). Apriete la clavija de bloqueo de la posición del bisel (9).

8.10 Ajuste de la profundidad de corte

De ser necesario, es posible ajustar la profundidad de corte. Para hacerlo, coloque la pieza deslizante de bloqueo en la posición delantera, de manera que el tornillo de ajuste de la profundidad del corte (12) entre en contacto con ella al presionar el cabezal de la sierra hacia abajo. Afloje la tuerca de bloqueo en el tornillo de ajuste de la profundidad del corte (12). Baje suavemente el cabezal de la sierra hasta la profundidad de corte deseada. Ajuste el tornillo hacia arriba o hacia abajo en función de la profundidad de corte deseada. Vuelva a apretar la tuerca de bloqueo en el tornillo de ajuste de la profundidad del corte (12).

9. Uso

9.1 Corte

Asegúrese de que la batería de 4,0 Ah esté cargada y bien colocada.

Asegure la pieza de trabajo con la abrazadera (4). Tenga la precaución de mantenerse alejado de la hoja de sierra en movimiento en todo momento. Asegúrese de que la hoja de sierra no toque ninguna de las pantallas. En caso contrario, ajuste las pantallas.

Si tiene la intención de cortar una pieza de trabajo curva, asegúrese de que esta no esté doblada contra la pantalla (consulte la figura C). Asegúrese de que no haya ningún espacio entre la pieza de trabajo, la pantalla y la placa base.

Las piezas de trabajo largas deben apoyarse de forma adecuada, por ejemplo, sobre un soporte equipado de rodillos. Evite sujetar o guiar las piezas de trabajo de una forma que pueda hacerle perder el equilibrio.

Para cortar, pulse uno de los cierres de seguridad (16) y accione el interruptor de encendido/apagado (17). Espere hasta que la hoja de sierra alcance la velocidad máxima antes de presionar cuidadosamente el cabezal de la sierra hacia abajo. Cuando la herramienta haya alcanzado la velocidad máxima, presione hacia abajo la parte superior de la sierra mediante la empuñadura. Siempre que sea posible, corte la pieza de trabajo con un solo movi-

miento uniforme. Las piezas de trabajo de forma irregular pueden provocar un rebote inesperado de la parte superior; por lo tanto, sujete firmemente la empuñadura. Para detener la sierra, suelte el interruptor de encendido/apagado (17).

9.2 Cortes compuestos

Es posible realizar cortes compuestos ajustando cualquier combinación de inglete, bisel y profundidad de corte al mismo tiempo.

9.3 Cortes en caída

¡Advertencia! Asegúrese de que la pieza de trabajo esté firmemente sujeta a la placa base y apoyada contra la pantalla (20) antes de realizar el corte.

Este corte se utiliza cuando el ancho de la pieza de trabajo es más estrecho que el ancho de corte de la hoja de sierra en la posición más alejada. Empuje completamente el cabezal de la sierra hacia la pantalla guía (20) y apriete el tornillo de bloqueo del deslizamiento (19).

Encienda la sierra y espere hasta que la hoja alcance la máxima velocidad. Baje suavemente el cabezal de la sierra hacia la pieza de trabajo hasta lograr el corte. No fuerce la hoja de sierra. Una vez realizado el corte, apague la sierra.

9.4 Cortes deslizantes

¡Advertencia! Asegúrese de que la pieza de trabajo esté firmemente sujeta a la placa giratoria (22) y apoyada contra la pantalla posterior (20) antes de realizar el corte.

¡Advertencia! Una pieza de trabajo torcida o irregular puede atascarse en la hoja de sierra durante el corte y causar un rebote. Siempre compruebe que la pieza de trabajo esté uniformemente apoyada contra la pantalla posterior (20).

Este corte se utiliza cuando el ancho de la pieza de trabajo es más ancho que el ancho de corte de la hoja de sierra en la posición más alejada.

Compruebe que la sierra esté en la posición más alejada y que el tornillo de bloqueo del deslizamiento (19) no esté acoplado.

Con el cabezal de la sierra en posición arriba, retírelo de la pieza de trabajo.

Encienda la sierra y espere hasta que la hoja alcance la máxima velocidad. Baje suavemente el cabezal de la sierra hacia la pieza de trabajo hasta alcanzar la profundidad del corte. No fuerce la hoja de sierra. Una vez alcanzada la profundidad del corte, mantenga el cabezal de la sierra a esta profundidad y empujelo hacia la posición más lejana para completar el corte. No fuerce la hoja de sierra. Una vez realizado el corte, apague la sierra.

9.5 Reemplazo de la hoja de sierra

¡Advertencia! Antes de reemplazar una hoja de sierra, retire la batería. Utilice únicamente hojas de sierra con una velocidad nominal de 4200 r. p. m. o superior. Asegúrese de que el diámetro del eje y el calibre de la hoja de sierra sean compatibles. Solo utilice hojas de sierra afiladas y en buenas condiciones. Las hojas de sierra agrietadas o dobladas deben reemplazarse de inmediato.

¡Advertencia! Incluso las hojas de sierra usadas están afiladas. Existe el riesgo de cortarse al manipularlas. Manipule cuidadosamente las hojas de sierra.

Asegúrese de haber retirado la batería.

Coloque el cabezal de la herramienta en su posición más alta. Retraiga manualmente el protector inferior para exponer la hoja de sierra. Mantenga pulsado el seguro del eje (25) mientras gira la hoja de sierra con la mano hasta que encaje totalmente.

Mientras mantiene pulsado el seguro del eje, coloque la llave hexagonal suministrada en el tornillo del eje. Afloje el tornillo del eje y retírelo girándolo en sentido horario. Abra la cubierta de la hoja de sierra y retire la brida externa, la hoja de sierra antigua y la brida interna.

Limpie las bridas con un paño. Vuelva a colocar la brida interna. Instale la nueva hoja de sierra haciendo coincidir la flecha de dirección con la flecha en la carcasa. Vuelva a instalar la brida externa, inserte el tornillo del eje y apriete a mano.

Mantenga pulsado el seguro del eje mientras gira la hoja de sierra con la mano hasta que encaje totalmente. Vuelva a apretar el tornillo del eje girándolo en sentido antihor-

rario mediante la llave hexagonal suministrada.

Compruebe el buen estado de todos los protectores y asegúrese de que la hoja de sierra esté firmemente instalada y que gire libremente.

9.6 Empuñadura de transporte

La sierra está equipada con una empuñadura de transporte (10). Al transportar la sierra, asegure el cabezal de la sierra en la posición baja mediante el pasador de bloqueo (18).

10. Limpieza y mantenimiento

10.1 Limpieza

- Mantenga los dispositivos de seguridad, las aberturas de ventilación y la carcasa del motor en el mejor estado de limpieza posible, esto es, deben estar libres de sucio y polvo. Para ello, utilice aire comprimido a baja presión y un paño limpio.
- Le recomendamos limpiar su herramienta eléctrica inmediatamente después de cada uso.
- Limpie la herramienta eléctrica regularmente con un paño humedecido con agua jabonosa (utilice únicamente detergentes suaves). No utilice disolventes ni productos de limpieza, ya que pueden atacar las partes de plástico del aparato. Asegúrese de que el agua no penetre en el interior de la herramienta.
- Extraiga la batería antes de realizar cualquier tarea de limpieza o mantenimiento.

10.2 Mantenimiento

Ninguna parte interna de la herramienta requiere mantenimiento.

11. Datos técnicos

Voltaje de la batería:	18 V (iones de litio)
Velocidad sin carga:	4200 min ⁻¹
Ángulo en inglete:	0-45°
Ángulo de bisel:	0-45°
Dimensiones de la hoja de sierra:	216 (Ø) x 1,5 mm, agujero central 30 mm
Capacidad de corte:	0°/0°: 62 x 305 mm 0°/45°: 62 x 210 mm 45°/0°: 30 x 305 mm 45°/45°: 30 x 210 mm
Peso (sin batería):	12,8 kg
Nivel ponderado de presión sonora L _{PA} :	86,2 dB(A)
Incertidumbre (K _{PA}):	3 dB(A)
Nivel ponderado de potencia acústica (L _{WA}):	98,1 dB(A)
Incertidumbre (K _{WA}):	3 dB(A)

12. Eliminación



No deseche las herramientas eléctricas junto a los residuos domésticos.

El embalaje en el que se envía esta herramienta reduce los daños debidos al transporte.

El material de embalaje en cuestión es una materia prima que se puede reutilizar o reciclar. La herramienta eléctrica y sus accesorios están fabricados con diferentes materiales como metales y plástico. Lleve los componentes defectuosos a un punto de recogida de residuos especiales. Puede consultar con el vendedor o su ayuntamiento al respecto.

12.1 Baterías

Piense en el medioambiente al desechar las baterías. Póngase en contacto con las autoridades locales para saber dónde se encuentra el punto de recogida más cercano para este tipo de residuos. No deseché las baterías junto a los residuos domésticos. No elimine las baterías quemándolas, ya que esto entraña un riesgo de explosión.

13. Declaración CE de conformidad

Nosotros, **Batavia B.V., con domicilio social en Weth. Wassebaliestraat 6d, NL-7951 SN Staphorst**, declaramos bajo nuestra propia responsabilidad que la **sierra ingletadora deslizante inalámbrica, modelo BT-CMS001, n.º de artículo 7063453**, cumple con los requisitos básicos recogidos en la **Directiva 2014/30/EU del Parlamento Europeo y del Consejo en materia de compatibilidad electromagnética (EMC), la Directiva 2006/42/CE relativa a las máquinas y la Directiva 2011/65/EU** sobre restricciones a la utilización de determinadas sustancias peligrosas en aparatos eléctricos y electrónicos (también conocida como **RoHS**) y sus enmiendas. Para la evaluación del cumplimiento normativo se consultaron las siguientes normas armonizadas:

EN 62841-1:2015+AC

EN 62841-3-9:2015+AC

AfPS GS 2019:01

EN 55014-1:2006+A1+A2

EN 55014-2:1997+AC+A1+A2

Staphorst, 7 de julio de 2021



Meino Seinen, representante de Aseguramiento de la Calidad de Batavia B.V., Weth. Wassebaliestraat 6d, 7951 SN Staphorst, Países Bajos

Tanto el producto como el manual de usuario están sujetos a cambios. Los datos técnicos pueden cambiar sin previo aviso.

Estimado cliente

Familiarize-se com a utilização adequada do dispositivo através da leitura e cumprimento de cada capítulo deste manual, pela ordem apresentada. Guarde estas instruções de utilização para consulta futura.

Leia as "Instruções de segurança gerais para ferramentas elétricas" e todas as instruções de segurança adicionais neste manual!

Este manual contém informações importantes sobre a utilização e manuseamento do dispositivo. Guarde estas instruções de utilização para consulta futura. Entregue-as juntamente com a unidade caso empreste o equipamento a terceiros.

Bateria e carregador não incluídos!

A bateria está disponível separadamente art.º n.º: 7062518 (4Ah). O carregador está disponível separadamente art.º n.º: 7063630 (1.65A) ou 7063554 (4A).

Estes itens estão disponíveis para venda online e nas lojas de revenda.

1. Explicação dos símbolos

O seguintes símbolos são utilizados no manual do utilizador ou no produto:



Aviso! Para reduzir o risco de lesões, o utilizador deve ler o manual de instruções.



Indica risco de lesões corporais, morte ou danos ao equipamento no caso de não observância das instruções neste manual.



Utilizar sempre proteção auditiva. Os efeitos do ruído podem causar perda de audição.



Utilize uma máscara antipó. Ao trabalhar com madeira e outros materiais, é possível a geração de pós nocivos. Não é permitido trabalhar com materiais que contenham amianto!



Utilize óculos de proteção. Sempre que se trabalha com ferramentas elétricas, é possível a ocorrência de faíscas, lascas, farpas e partículas de pó, que podem causar perda de visão.



Cuidado: feixe laser! Não olhe diretamente para o feixe laser.

Não aponte o feixe laser para pessoas ou animais.



"CE" significa "Conformidade Europeia", o que indica "em conformidade com a regulamentação da UE". Com a marcação CE, o fabricante confirma que esta ferramenta elétrica cumpre com as diretivas europeias aplicáveis.



Não elimine as ferramentas elétricas juntamente com os resíduos domésticos.

2. Avisos de segurança adicionais



Tenha em atenção as Notas de segurança geral incluídas e as seguintes notas de segurança para evitar avarias, danos ou ferimentos:

- 2.1 Leia este manual atentamente e utilize a unidade apenas de acordo com as instruções aqui contidas.
- 2.2 (Ver **Fig. B**) Nunca aponte o feixe laser para pessoas ou animais. Segure sempre a unidade de forma a que o feixe laser fique direcionado para uma zona afastada do corpo. Nunca olhe fixamente para o feixe laser. Pode provocar lesões oculares graves. Não aponte o laser para espelhos ou outras superfícies altamente refletoras. Um feixe laser descontrolado pode incidir em pessoas ou animais.
- 2.3 A unidade não é um brinquedo, pelo que não deve estar ao alcance de crianças. Durante a utilização da máquina nunca a deixe sem vigilância. Mantenha-a fora do alcance das crianças ou de pessoas que necessitem de supervisão. As crianças devem ser vigiadas para garantir que não brincam com a unidade.
- 2.4 As pessoas com capacidades físicas, sensoriais ou mentais reduzidas não devem utilizar a máquina, exceto se sob supervisão ou se tiverem recebido instruções relativas à segurança por uma pessoa qualificada.
- 2.5 Caso a unidade fique danificada, deixe de a utilizar e solicite a sua reparação por um profissional ou entre em con-

tacto com o nosso serviço de apoio ao cliente. Não desmonte a unidade nem tente repará-la sem auxílio.

3. Notas de segurança especiais para serras de traçar e meia-esquadria

- 3.1 Utilize sempre a lâmina de serra correta para o material que pretende cortar.
- 3.2 Não utilize lâminas danificadas ou deformadas.
- 3.3 Os insertos da placa de base desgastados têm de ser substituídos.
- 3.4 Utilize apenas lâminas de serra recomendadas pelo fabricante e que correspondam à norma EN 847-1. Não utilize lâminas de serra HSS.
- 3.5 Se necessário, utilize equipamento de proteção adequado, como proteção auditiva, óculos de segurança, máscara antipó e luvas para proteger as suas mãos quando manusear lâminas de serra ou materiais grosseiros. (as lâminas de serra devem, sempre que possível, ser transportadas num recipiente). Tenha em conta que a utilização de luvas durante a utilização da serra é um risco de segurança, pelo que não deve fazê-lo.
- 3.6 Quando cortar madeira, ligue sempre a serra meia-esquadria a um extrator de pó.
- 3.7 Mantenha as suas mãos e outras partes do corpo afastadas da lâmina de serra rotativa.
- 3.8 Fixe todas as peças de trabalho com o grampo de parafuso na serra.
- 3.9 Antes de começar um corte, bloqueie a placa de base móvel e o braço pivô.
- 3.10 O piso em torno da máquina deve ser regular, limpo e sem resíduos como, por exemplo, peças de sucata.
- 3.11 Utilize apenas lâminas de serra afiadas e retas, em boas condições. Respeite a velocidade máxima de rotação da lâmina de serra.
- 3.12 Não se debruce sobre a área de trabalho para remover peças ou por qualquer outro motivo enquanto a máquina estiver a funcionar e o conjunto da serra

não estiver bloqueado na posição de descanso.

- 3.13 Se possível, certifique-se de que a máquina está solidamente montada ou fixada numa bancada de trabalho ou mesa.
- 3.14 Peças de trabalho compridas devem ser sempre suportadas com um apoio adicional, como um suporte de rolo.
- 3.15 Certifique-se de que não existem pregos, parafusos ou itens semelhantes na peça de trabalho.
- 3.16 Verifique periodicamente todas as porcas, parafusos e outros acessórios e aperte-os sempre que necessário.

4. Instruções de segurança para serras meia-esquadria

- a. **As serras meia-esquadria destinam-se a cortar madeira ou produtos semelhantes; não podem ser usadas com discos de corte abrasivos para cortar material ferroso como, por exemplo, barras, hastes, pinos, etc.** O pó abrasivo provoca o encravamento de peças móveis como a guarda inferior. As faíscas de cortes abrasivos queimarão a guarda inferior, o inserto do corte e outras peças de plástico.
- b. **Sempre que possível, utilize grampos para apoiar a peça de trabalho. Se apoiar a peça de trabalho manualmente, terá de manter sempre a sua mão a, pelo menos, 100 mm de cada um dos lados da lâmina de serra. Não utilize esta serra para cortar pedaços demasiado pequenos para serem firmemente fixados com grampos ou apoiados manualmente.** Se a sua mão for colocada demasiado perto da lâmina, existe um risco aumentado de lesões por contacto com a lâmina.
- c. **A peça de trabalho tem de estar fixa e presa por grampos ou mantida contra a barreira e a mesa. Não avance a peça de trabalho pela lâmina nem corte de forma "livre".** As peças de trabalho não fixas ou móveis podem ser projetadas a alta velocidade, provocando lesões.

- d. **Empurre a serra pela peça de trabalho. Não puxe a serra pela peça de trabalho. Para realizar um corte, eleve a cabeça da serra e puxe-a sobre a peça de trabalho sem cortar; ligue o motor, empurre a cabeça da serra para baixo e empurre a serra pela peça de trabalho.** É provável que cortar no corte tirante fará com que a lâmina de serra trepe por cima da peça de trabalho, projetando o conjunto da lâmina violentamente na direção do utilizador.
- e. **Nunca atravesse a sua mão sobre a linha de corte pretendida em frente ou por trás da lâmina de serra.** Apoiar a peça de trabalho de forma "cruzada", ou seja, segurando a peça à direita da lâmina de serra com a sua mão esquerda ou vice versa, é muito perigoso.
- f. **Não estique a mão por trás da barreira com uma das mãos a menos de 100 mm de qualquer um dos lados da lâmina de serra, para remover lascas de madeira ou por qualquer outro motivo, enquanto a lâmina estiver a girar.** A proximidade da lâmina de serra giratória à sua mão pode não ser evidente e poderá sofrer ferimentos graves.
- g. **Inspeccione a sua peça de trabalho antes de realizar um corte. Se a peça de trabalho estiver inclinada ou deformada, fixe-a com a face inclinada exterior virada para a barreira. Certifique-se sempre de que não existe um espaço entre a peça de trabalho, a barreira e a mesa ao longo da linha de corte.** Peças de trabalho dobradas ou deformadas podem torcer ou deslocar-se, e podem provocar o encravamento na lâmina de serra giratória durante o corte. Não devem existir pregos nem objetos estranhos na peça de trabalho.
- h. **Não utilize a serra até a mesa estar limpa de todas as ferramentas, lascas de madeira, etc., à exceção da peça de trabalho.** Pequenos resíduos ou pedaços soltos de madeira ou outros objetos que entram em contacto com a lâmina em rotação podem ser projetados a alta velocidade.
- i. **Corte apenas uma peça de trabalho de cada vez.** Não poderão ser adequadamente fixadas ou suportadas várias peças de trabalho empilhadas e podem provocar a retenção ou deslocação da lâmina durante o corte.
- j. **Antes da utilização, certifique-se de que a serra meia-esquadria está montada ou colocada numa superfície de trabalho nivelada e firme.** Uma superfície de trabalho nivelada e firme reduz o risco de a serra meia-esquadria ficar instável.
- k. **Planeie o seu trabalho. Sempre que altera o ângulo de definição do biseado ou chanfro, certifique-se de que a barreira ajustável é corretamente definida de forma a suportar a peça de trabalho e a não interferir com a lâmina ou o sistema de guardas.** Sem LIGAR a ferramenta e sem nenhuma peça de trabalho de mesa, mova a lâmina de serra ao longo de um corte completo simulado para garantir que não haverá interferência nem o risco de cortar a barreira.
- l. **Providencie um apoio adequado como, por exemplo, extensões de mesa, cavaletes, etc. para as peças de trabalho que sejam mais largas ou compridas do que o tempo de mesa.** As peças de trabalho mais largas ou compridas do que a mesa da serra meia-esquadria podem virar-se se não estiverem corretamente suportadas. Se a peça de corte ou a peça de trabalho se virar, pode elevar a guarda inferior ou ser projetada pela lâmina em rotação.
- m. **Não utilize outra pessoa como substituição de uma extensão de mesa ou apoio adicional.** Um apoio instável da peça de trabalho pode provocar a retenção da lâmina ou a peça de trabalho pode mover-se durante a operação de corte, empurrando o utilizador e o ajudante na direção da lâmina giratória.
- n. **A peça de corte não pode ser encravada ou pressionada por qualquer meio contra a lâmina de serra girató-**

- ria. Se confinada, ou seja, utilizando batentes de comprimento, a peça de corte pode ficar entalada contra a lâmina e ser projetada violentamente.
- o. **Utilize sempre um grampo ou fixador concebido para suportar adequadamente material redondo, como hastes ou tubos.** As hastes têm a tendência de rolar durante o corte, fazendo com que a lâmina prenda e puxe a sua mão na direção da lâmina.
 - p. **Deixe a lâmina atingir a velocidade completa antes de a colocar em contacto com a peça de trabalho.** Dessa forma, reduzirá o risco de projeção da peça de trabalho.
 - q. **Se a peça de trabalho ou lâmina ficar encravada, desligue a serra meia-esquadria. Aguarde até que todas as peças móveis parem e desligue a ficha da fonte de alimentação e/ou remova a bateria. Em seguida, liberte o material encravado.** A serragem contínua com uma peça de trabalho encravada pode provocar a perda de controlo ou danificar a serra meia-esquadria.
 - r. **Depois de terminar o corte, solte o interruptor, mantenha a cabeça da serra em baixo e aguarde até que a lâmina pare antes de remover a peça de corte.** É perigoso colocar a sua mão junto da lâmina em desaceleração.

5. Antes da primeira utilização

Retire a máquina e todos os acessórios da embalagem. Mantenha os materiais de embalagem fora do alcance de crianças pequenas. Risco de asfixia!

6. Conteúdo da embalagem

- 1 x Serra meia-esquadria deslizante sem fios
- 1 x Saco de recolha do pó
- 1 x Lâmina de serra de 216 mm com 48 dentes (montada)
- 2 x Conjuntos de barras de extensão
- 1 x Manual de instruções

7. Utilização prevista

A serra meia-esquadria destina-se a ser usada como uma máquina para realizar

cortes retos em madeira, sem a necessidade de alimentação elétrica. É possível cortar ângulos de chanfro de -45° a +45° e ângulos de biselado de 0° a 45°. A serra meia-esquadria foi concebida com capacidade para serrar madeira dura e macia.

8. Montagem e instruções de ajuste

8.1 Montagem

Insira os suportes da peça de trabalho (7) nos orifícios de cada um dos lados da serra meia-esquadria. Aperte os parafusos de bloqueio de suporte da peça de trabalho (21) para bloquear os suportes de trabalho na sua posição. Verifique se os suportes estão firmemente fixados. A serra meia-esquadria é entregue com uma lâmina de serra.

8.2 Operação

A serra meia-esquadria tem de ser fixada a uma bancada de trabalho ou mesa de serra. Verifique se todas as coberturas e dispositivos de segurança foram devidamente instalados e estão operacionais.

Verifique se a cabeça da serra não está bloqueada e se está livre para se mover. Se não estiver livre, desengate o parafuso de bloqueio deslizante (19) e o pino de bloqueio de cabeça em baixo (18). Antes de inserir a bateria (13) verifique se a lâmina de serra (3) está livre para girar.

8.3 Extração de pó

O saco de recolha de pó ou um sistema de extração de pó adequado tem de ser ligado à porta de extração de pó da serra (11).

8.4 Inserir e remover a bateria

Aviso: antes de inserir ou remover a bateria, certifique-se de que a serra meia-esquadria se encontra desligada.

Tenha em conta que a serra apenas funcionará corretamente com a bateria de 4,0 Ah.

Deslize a bateria para a ranhura da bateria na parte traseira da cabeça da serra. Para inserir a bateria, alinhe a bateria com a base da mesma na parte traseira da cabeça da serra e deslize a bateria para a serra, de forma a que a bateria fique bloqueada na sua posição.

Para retirar a bateria, prima o botão de liberação da bateria e retire a bateria simultaneamente.

8.5 Feixe laser

Aviso! Radiação Laser! Respeite as notas de segurança! Laser de classe 2. O feixe laser é utilizado para indicar a posição do corte na peça de trabalho. Pode ser ligado ou desligado utilizando o interruptor (14) na parte superior do corpo da serra.

8.6 Luz de trabalho LED

Para providenciar uma iluminação adicional da peça de trabalho, a serra conta com uma luz de trabalho LED incorporada. Pode ser ligada ou desligada utilizando o interruptor (15) na parte superior do corpo da serra.

8.7 Definição dos ângulos de corte

Aviso! Antes de efetuar quaisquer ajustes às definições, verifique se a bateria foi retirada para prevenir arranques acidentais. Depois de definir os ângulos realize sempre testes de corte.

8.8 Definição do ângulos de chanfro

O ângulo de chanfro é variável para a esquerda/direita entre 0° e 45°. Para definir o ângulo de chanfro, desaperte o manípulo de bloqueio da posição de chanfro (5). Gire a mesa e defina o ângulo de chanfro necessário utilizando a escala do indicador de ângulo de chanfro (23). Aperte o manípulo de bloqueio da posição de chanfro (5).

8.9 Definição do ângulo de biselado

O ângulo de biselado é variável entre 0° e 45°. Para definir o ângulo de biselado, desaperte o manípulo de bloqueio da posição de chanfro (9). Incline a cabeça de corte para o ângulo de biselado pretendido, utilizando a escala do indicador de ângulo de biselado (8). Aperte o manípulo de bloqueio da posição de biselado (9).

8.10 Definição da posição de corte

A profundidade de corte pode ser ajustada, se necessário. Para tal, defina a peça de bloqueio deslizante para a posição avançada, para que o parafuso de ajuste da profundidade de corte (12) entre em contacto com a mesma quando a cabeça da serra for baixada. Desaperte a porca de travamento no parafuso de ajuste da pro-

fundidade de corte (12). Cuidadosamente, baixe a cabeça da serra até à profundidade de corte desejada. Ajuste o parafuso para cima ou baixo para obter a profundidade de corte desejada. Aperte novamente a porca de travamento no parafuso de ajuste de profundidade de corte (12).

9. Utilização

9.1 Cortar

Certifique-se de que a bateria de 4,0 Ah está carregada e corretamente instalada. Fixe a peça de trabalho com o grampo (4). Mantenha-se afastado da lâmina da serra giratória. Certifique-se de que a lâmina da serra não toca em nenhuma barreira e, se necessário, ajuste as barreiras.

Se pretender cortar uma peça de trabalho curvada, certifique-se de que esta não está dobrada contra a barreira. (Ver Fig. C.) Certifique-se de que não se forma qualquer espaço entre a peça de trabalho, a barreira e a placa de base.

As peças de trabalho compridas têm de ser suportadas de forma adequada, p. ex., num suporte equipado com rolos. Evite segurar ou guiar peças de trabalho de forma a comprometer o seu equilíbrio.

Parar cortar, prima uma das bases de segurança (16) e opere o interruptor de ligar/desligar (17). Permita que a lâmina da serra atinja a velocidade máxima empurrando gentilmente a cabeça da serra para baixo. Quando a máquina tiver atingido a velocidade máxima, pressione a parte superior da serra pela pega. Sempre que possível, corte a peça de trabalho com um movimento único e regular. Peças de trabalho de formas irregulares podem provocar o ricochete repentino da parte superior, por isso, segure a pega de forma firme. Para parar a serra, solte o interruptor de ligar/desligar (17).

9.2 Cortes compostos

Os cortes compostos podem ser realizados definindo qualquer combinação de chanfro, biselado e profundidade de corte simultaneamente.

9.3 Cortes descendentes

Aviso! Certifique-se de que a peça de trabalho se encontra firmemente fixada na placa de base e que está suportada contra a barreira traseira (20) antes de realizar o corte. Este corte é usado quando a largura da peça de trabalho é mais estreita do que a largura de corte da lâmina na posição mais à retaguarda. Empurre a cabeça da serra para trás, na direção da barreira guia (20) e aperte o parafuso de bloqueio deslizante (19).

LIGUE a serra e aguarde até a lâmina atingir a velocidade máxima. Lentamente baixe a cabeça da serra na direção da peça de trabalho até realizar o corte. Não force a lâmina. Após efetuar o corte, DESLIGUE a serra.

9.4 Cortes por deslize

Aviso! Certifique-se de que a peça de trabalho se encontra firmemente fixada ou presa à mesa giratória (22) e que está suportada contra a barreira traseira (20) antes de realizar o corte.

Aviso! Uma peça de trabalho deformada ou irregular pode apertar a lâmina de serra durante o corte e provocar um ricochete. Verifique se a peça de trabalho está sempre suportada de forma uniforme contra a barreira (20).

Este corte é usado quando a largura da peça de trabalho é superior à largura de corte da lâmina na posição mais à retaguarda.

Verifique se a serra se encontra na posição mais à retaguarda, e verifique se o parafuso de bloqueio deslizante (19) não está engatado.

Com a cabeça da serra na posição elevada, extraia a cabeça da serra para que esta desobstrua a peça de trabalho.

LIGUE a serra e aguarde até a lâmina atingir a velocidade máxima. Lentamente, baixe a cabeça da serra na direção da peça de trabalho até atingir a profundidade de corte. Não force a lâmina. Uma vez atingida a profundidade de corte, mantenha a cabeça da serra nesta profundidade e empurre a cabeça da serra na direção da posição mais recuada para concluir o corte. Não force a

lâmina. Após efetuar o corte, DESLIGUE a serra.

9.5 Substituir a lâmina de serra

Aviso! Antes de proceder à substituição da lâmina da serra, retire sempre a bateria. Utilize apenas lâminas de serra com uma classificação de velocidade de 4200 rpm ou superior. Certifique-se de que o diâmetro do fuso coincide com diâmetro da lâmina da serra. Utilize apenas lâminas de serra afiadas e sem danos. As lâminas rachadas ou curvadas têm de ser imediatamente substituídas.

Aviso! As lâminas de serra usadas de forma uniforme são afiadas. Existe o risco de corte durante o seu manuseamento. Manuseie as lâminas de serra com cuidado.

Certifique-se de que a bateria foi retirada.

Coloque a cabeça da máquina na sua posição mais elevada. Recue manualmente a guarda inferior para expor a lâmina da serra. Prima, sem soltar, o botão de bloqueio do fuso (25) enquanto gira a lâmina de serra manualmente até o botão de bloqueio do fuso engatar completamente.

Mantendo o bloqueio do fuso premido, coloque a chave hexagonal fornecida no parafuso do fuso. Desaperte o parafuso do fuso e remova-o girando no sentido dos ponteiros do relógio. Abra a tampa da lâmina de serra manualmente e remova a flange exterior, a lâmina de serra usada e a flange interior.

Limpe as flanges com um pano. Instale novamente a flange interior. Encaixe a nova lâmina de serra com a seta de direção correspondente à serra indicada na armação. Encaixe novamente a flange exterior, insira o parafuso do fuso e aperte manualmente. Mantenha premido o botão de bloqueio do fuso enquanto gira a lâmina de serra manualmente até o botão de bloqueio do fuso engatar completamente. Aperte novamente o parafuso do fuso usando a chave hexagonal, girando-o no sentido contrário ao dos ponteiros do relógio.

Verifique o funcionamento de todas as guardas e certifique-se de que a lâmina de serra está apertada e que funciona sem obstáculos.

9.6 Pega de transporte

A serra está equipada com uma pega de transporte (10). Quando transportar a serra, fixe a cabeça da serra na sua posição rebaiada com o pino de bloqueio (18).

10. Limpeza e manutenção

10.1 Limpeza

- Mantenha os dispositivos de segurança, os orifícios de ventilação e a caixa do motor o mais limpos possível (de sujidade e pó). Limpe a ferramenta elétrica com um pano limpo ou sobre-a com um equipamento de ar comprimido de baixa pressão.
- Recomendamos a limpeza da sua ferramenta elétrica imediatamente após cada utilização.
- Limpe a ferramenta elétrica regularmente com um pano húmido e algum sabão suave. Não utilize quaisquer materiais de limpeza ou solventes, já que podem danificar os componentes plásticos do dispositivo. Certifique-se de que a água não penetra no interior da ferramenta elétrica.
- Remova a bateria antes de proceder a qualquer trabalho de limpeza ou manutenção.

10.2 Manutenção

Não existem quaisquer peças internas que necessitem de manutenção.

11. Dados técnicos

Tensão da bateria: iões de lítio de 18 V
 Velocidade sem carga: 4200 min⁻¹
 Ângulo de chanfro: 0 – 45°
 Ângulo de biselado: 0 – 45°
 Dimensões da lâmina
 de serra: Ø 216 x 1,5 mm,
 orifício central 30 mm
 Capacidade de corte:
 0°/0°: 62 x 305 mm
 0°/45°: 62 x 210 mm
 45°/0°: 30 x 305 mm
 45°/45°: 30 x 210 mm
 Peso sem bateria: 12,8 kg
 Nível de pressão sonora L_{PA} ponderada:
 86,2 dB(A)
 Incerteza K_{PA}: 3 dB(A)
 Nível de potência sonora L_{WA} ponderada:
 98,1 dB(A)
 Incerteza K_{WA}: 3 dB(A)

12. Eliminação



Não elimine as ferramentas elétricas juntamente com os resíduos domésticos.

Esta ferramenta elétrica é expedida numa embalagem para minimizar os danos de transporte.

Esta embalagem é uma matéria-prima e, como tal, pode ser reutilizada ou reintroduzida no respetivo ciclo. Esta ferramenta elétrica e os seus acessórios são feitos de vários materiais, tais como metais e plásticos. Leve as peças defeituosas para um ponto de recolha especial. Coloque as suas questões a este respeito numa loja da especialidade ou autoridade local.

12.1 Bateria

Pense no ambiente sempre que eliminar baterias. Contacte as autoridades locais para saber a localização da área de eliminação de resíduos mais próxima. Não elimine as baterias juntamente com os resíduos domésticos. Não elimine a bateria queimando-a - risco de explosão.

13. Declaração de conformidade CE

Nós, **Batavia B.V., Weth. Wassebaliestraat 6d, NL-7951 SN Staphorst**, declaramos sob a nossa responsabilidade que o produto **Serra meia-esquadria deslizante sem fios, Item n.º 7063453, Modelo n.º BT-CMS001** está de acordo com os requisitos básicos definidos nas Diretivas Europeias **2014/30/UE (relativa à compatibilidade eletromagnética (CEM)), 2006/42/CE (relativa às máquinas), RoHS: 2011/65/UE (relativa à restrição do uso de determinadas substâncias perigosas em equipamentos elétricos e eletrónicos)** e respetivas alterações. Para a avaliação de conformidade, foram consultadas as seguintes normas harmonizadas:

EN 62841-1:2015+AC

EN 62841-3-9:2015+AC

AfPS GS 2019:01

EN 55014-1:2006+A1+A2

EN 55014-2:1997+AC+A1+A2

Staphorst, 7 de julho de 2021



Meino Seinen, QA Representative
Batavia B.V., Weth. Wassebaliestraat 6d,
7951 SN Staphorst, Países Baixos

O produto e o manual do utilizador podem ser sujeitos a alterações. Os dados técnicos podem ser alterados sem aviso prévio.

Szanowny Kliencie!

Prosimy o zapoznanie się z prawidłowym użyciem urządzenia poprzez przeczytanie każdego z poniższych rozdziałów instrukcji, w podanej kolejności. Zachować instrukcję obsługi do wykorzystania w przyszłości.

Prosimy o przeczytanie załączonych „Ogólne wskazówki dotyczące bezpieczeństwa elektronarzędzi” oraz dodatkowych zaleceń bezpieczeństwa zawartych w niniejszej instrukcji obsługi!

Niniejsza instrukcja zawiera najważniejsze informacje dotyczące bezpiecznej obsługi i korzystania z urządzenia. Zachować instrukcję obsługi do wykorzystania w przyszłości. Prosimy o dołączenie instrukcji do urządzenia w przypadku przekazywania urządzenia innej osobie.

Akumulator i ładowarka nie wchodzą w skład zestawu!

Akumulator dostępny jest oddzielnie jako art. nr: 7062518 (4 Ah). Ładowarka dostępna jest oddzielnie jako art. nr: 7063630 (1,65 A) lub 7063554 (4 A).

Pozycje te są dostępne online oraz w sklepach partnerskich.

1. Objaśnienie symboli

W instrukcji obsługi lub na produkcie stosowane są następujące symbole:



Ostrzeżenie! W celu zredukowania ryzyka obrażeń użytkownik musi przeczytać instrukcję obsługi.



Wskazuje na zagrożenie zranieniem ciała, utratą życia lub uszkodzeniem narzędzia w przypadku nieprzestrzegania zaleceń zawartych w niniejszej instrukcji.



Zawsze stosować ochronę słuchu. Narażenie na hałas może spowodować utratę słuchu.



Nosić maskę przeciwpyłową. Podczas pracy z drewnem lub innymi materiałami może powstawać szkodliwy pył. Prace związane z materiałami zawierającymi azbest nie są dozwolone!



Nosić okulary ochronne. Podczas pracy z elektronarzędziami może dochodzić do powstawania iskier,

odprysków, wiórów oraz cząstek pyłu, które mogą spowodować utratę wzroku.



Ostrożnie! Promień wiązki laserowej! Nie patrzeć bezpośrednio w wiązkę lasera. Nie kierować wiązki lasera na ludzi lub zwierzęta.



CE jest skrótem od „Conformité Européenne”, co oznacza „Zgodne z przepisami UE”. Za pomocą znaku CE producent potwierdza, że niniejsze elektronarzędzie spełnia wymagania obowiązujących dyrektyw UE.



Nie należy utylizować elektronarzędzi z odpadami domowymi.

2. Dodatkowe zalecenia dotyczące bezpieczeństwa



Należy przestrzegać dołączonych ogólnych wskazówek dotyczących bezpieczeństwa oraz poniższych uwag, aby uniknąć awarii, szkód lub obrażeń ciała.

- 2.1 Prosimy o uważne przeczytanie niniejszej instrukcji oraz używanie urządzenia wyłącznie zgodnie z niniejszą instrukcją.
- 2.2 (Patrz **Rys. B**) Nie kierować lasera na ludzi lub zwierzęta. Zawsze trzymać urządzenie w taki sposób, aby wiązka laserowa była kierowana z dala od ciała. Nigdy nie patrzeć w wiązkę lasera. Może to skutkować poważnym uszkodzeniem wzroku. Nie kierować wiązki lasera na lustra lub inne silnie odbłaskowe powierzchnie. Niekontrolowany promień odbity może trafić w człowieka lub zwierzę.
- 2.3 Urządzenie nie jest zabawką i nie powinno znaleźć się w rękach dziecka. Nigdy, w czasie używania urządzenia, nie wolno go pozostawiać bez nadzoru. Przechowywać w miejscu niedostępnym dla dzieci lub osób wymagających nadzoru. Dzieci powinny być nadzorowane w celu zapewnienia, że nie bawią się urządzeniem.
- 2.4 Osoby o ograniczonej sprawności fizycznej, sensorycznej lub umysłowej nie mogą używać tego produktu, chyba że będą nadzorowane lub zostaną poin-

- struowane w zakresie bezpiecznej obsługi produktu przez wykwalifikowaną osobę.
- 2.5 Jeśli dojdzie do uszkodzenia urządzenia należy zaprzestać korzystania z niego i dokonać jego naprawy u profesjonalisty lub skontaktować się z naszym działem obsługi klienta. Nie należy rozmontowywać produktu ani próbować naprawiać go na własną rękę.
- ### 3. Specjalne środki ostrożności dotyczące pił poprzecznych i ukosowych
- 3.1 Zawsze stosować ostrze odpowiednie do przecinanego materiału.
 - 3.2 Nie używać uszkodzonych lub odkształconych ostrzy.
 - 3.3 Zużyte wkłady płyt podstawy należy wymienić.
 - 3.4 Używać wyłącznie ostrzy do pił zalecanych przez producenta, zgodnych z normą EN 847-1. Nie używać ostrzy HSS do pił.
 - 3.5 W razie potrzeby stosować odpowiedni sprzęt ochrony osobistej. Czyli, między innymi ochronę słuchu, gogle ochronne, maskę przeciwpyłową oraz rękawice, aby chronić ręce, gdy dotykane są ostrza piły lub szorstkie materiały. (Zawsze, gdy jest to możliwe, należy przenosić ostrza do piły w pojemniku). Należy pamiętać, że noszenie rękawic podczas obsługi piły stanowi zagrożenie dla bezpieczeństwa, dlatego nie należy tego robić.
 - 3.6 Podczas cięcia drewna należy zawsze podłączać piłę ukosową do systemu odpylającego.
 - 3.7 Nie zbliżać rąk ani innych części ciała do obracającego się ostrza piły.
 - 3.8 Zawsze przymocowywać obrabiany przedmiot za pomocą zacisku ze śrubą znajdującym się na pile.
 - 3.9 Przed rozpoczęciem cięcia zablokować ruchomą płytę podstawy oraz ramię obrotowe.
 - 3.10 Podłoże wokół maszyny powinno być równe, czyste i wolne od niepotrzebnych przedmiotów, takich jak odpady obrabianych materiałów.
 - 3.11 Używać wyłącznie ostrych, prostych ostrzy do pił w nienagannym stanie. Należy przestrzegać maksymalnej prędkości obrotowej ostrza piły.
 - 3.12 Nie sięgać do przestrzeni roboczej w celu usunięcia odciętych fragmentów ani w innym celu, dopóki maszyna pracuje, a moduł piły nie jest zablokowany w pozycji spoczynkowej.
 - 3.13 Upewnić się, że urządzenie jest, w miarę możliwości, dobrze przymocowane lub zabezpieczone zaciskiem do stołu lub blatu roboczego.
 - 3.14 Długie przedmioty, które będą poddawane obróbce, należy bezwzględnie podeprzeć dodatkowym wspornikiem, na przykład wspornikiem z rolką.
 - 3.15 Należy upewnić się, że w obrabianym przedmiocie nie ma gwoździ, wkrętów lub podobnych przedmiotów.
 - 3.16 Okresowo sprawdzać wszystkie nakrętki, śruby oraz pozostałe elementy złączne i dokręcić je, kiedy to konieczne.
- ### 4. Zalecenia dotyczące bezpiecznego korzystania z pił ukosowych
- a. **Piły ukosowe służą do cięcia drewna i materiałów drewnopodobnych. Nie można ich używać z tarczami ściernymi do cięcia przedmiotów z metalu, takich jak słupki, pręty, słupy itp.** Opiłki powodują zacinaanie się ruchomych podzespołów, takich jak dolna osłona. Iskry powstające podczas cięcia materiałem ściernym spowodują nadpalenie dolnej osłony, wkładki szczelinowej oraz innych podzespołów z tworzyw sztucznych.
 - b. **Zawsze, gdy jest to możliwe, należy stosować zaciski, aby zapewnić podparcie dla obrabianego przedmiotu. Jeżeli obrabiany przedmiot jest przytrzymywany ręką, ręka nie może znajdować się bliżej niż 100 mm od dowolnej strony ostrza piły. Nie używać piły do cięcia przedmiotów zbyt małych,**

- by można było je przymocować zaciskiem lub przytrzymać w ręce.
Umieszczenie dłoni zbyt blisko ostrza piły zwiększa ryzyko obrażeń w razie kontaktu z ostrzem.
- c. **Obrabiany przedmiot musi być nieruchomy i dociśnięty do prowadnicy i stołu za pomocą zacisku lub ręki. Nie należy popychać obrabianego przedmiotu w kierunku ostrza, ani ciąć z pominięciem elementów zabezpieczających.** Niezablokowane lub ruchome przedmioty obrabiane mogą zostać wyrzucone w powietrze z dużą siłą, powodując obrażenia ciała.
 - d. **Należy popychać piłę, która przecina obrabiany przedmiot. Nie ciągnąć piły przez obrabiany przedmiot. Aby wykonać cięcie, podnieść głowicę piły i wyciągnąć ją nad obrabianym przedmiotem, bez przecinania, uruchomić silnik, opuścić głowicę piły i pchać piłę przecinającą obrabiany przedmiot.** Cięcie przez ciągnięcie piły może spowodować wysunięcie się zęba piły na wierzch obrabianego przedmiotu i gwałtowne wypchnięcie ostrza w kierunku operatora.
 - e. **Nigdy nie umieszczać dłoni w poprzek planowanej linii cięcia, niezależnie od tego, czy znajduje się ona przed czy za ostrzem piły.** Przytrzymywanie obrabianego przedmiotu ręką „na krzyż” tj. trzymanie obrabianego przedmiotu z prawej strony ostrza lewą ręką lub odwrotnie, jest bardzo niebezpieczne.
 - f. **Gdy ostrze obraca się, nie należy sięgać za prowadnicę w celu usunięcia fragmentów odciętego drewna ani z innego powodu, jeżeli spowoduje to zbliżenie ręki do dowolnej strony ostrza na mniej niż 100 mm.** Ocena dokładnej odległości ręki od obracającego się ostrza może być trudna, a ewentualny błąd może nieść poważne konsekwencje w postaci obrażeń.
 - g. **Przed rozpoczęciem cięcia należy obejrzeć obrabiany przedmiot. Jeżeli obrabiany przedmiot jest wygięty lub odkształcony, należy przymocować go za pomocą zacisku, stroną zewnętrzną wygięcia do prowadnicy.** Zawsze należy się upewnić, że wzdłuż linii cięcia pomiędzy obrabianym przedmiotem, prowadnicą i stołem nie ma wolnej przestrzeni. Wygięte lub odkształcone przedmioty mogą obrócić lub przesunąć się podczas obróbki i spowodować zakleszczenie obracającego się ostrza piły w trakcie cięcia. Obrabiany przedmiot powinien być wolny od gwoździ i innych obcych przedmiotów.
 - h. **Nie używać piły dopóki ze stołu nie zostaną usunięte wszelkie narzędzia, kawałki drewna itp. inne niż obrabiany przedmiot.** Drobne odłamki lub luźne kawałki drewna bądź inne przedmioty, które wejdą w kontakt z obracającym się ostrzem mogą zostać wyrzucone w powietrze z dużą siłą.
 - i. **Nie należy przecinać więcej niż jednego przedmiotu na raz.** Stos wielu przedmiotów trudno jest właściwie przymocować zaciskiem lub spiąć, co może być powodem zakleszczania się ostrza lub przesuwania się materiału podczas cięcia.
 - j. **Przed użyciem upewnić się, że piła ukosowa jest zamocowana lub umieszczona na równej, wytrzymałej powierzchni roboczej.** Równa i wytrzymała powierzchnia robocza redukuje ryzyko utraty stabilności piły ukosowej.
 - k. **Pracę należy właściwie zaplanować. Po każdej zmianie ustawienia kąta lub ukosu należy sprawdzić, czy regulowana prowadnica jest właściwie ustawiona, aby zapewnić wsparcie dla obrabianego przedmiotu i nie stanowić przeszkody dla ostrza lub systemu osłon.** Zdjąć obrabiany przedmiot ze stołu i nie włączając urządzenia przesunąć ostrze piły, wykonując pełne, symulowane cięcie, aby upewnić się, że nie ma konfliktu ani zagrożenia przecięcia prowadnicy.
 - l. **Jeżeli obrabiany przedmiot jest szerszy lub dłuższy niż blat stołu, należy zapewnić jego należyte podparcie, takie jak dodatkowy blat stołu, koziołek itp.** Obrabiane przedmioty dłuższe

lub szersze niż stół piły ukosowej mogą się przewrócić, jeśli nie są odpowiednio podparte. Jeśli odcięty lub obrabiany przedmiot przewróci się, może podnieść dolną osłonę lub zostać wyrzucony w powietrze przez obracające się ostrze.

m. Pomoc innej osoby nie może stanowić substytutu przedłużenia stołu lub dodatkowego podparcia przedmiotu.

Niestabilne podparcie obrabianego przedmiotu może spowodować zakleszczenie się ostrza lub przesunięcie przedmiotu obrabianego podczas operacji cięcia, pociągając operatora i pomocnika w kierunku obracającego się ostrza.

n. Nie dopuścić do zakleszczenia odcinanego elementu ani nie dociskać go w żaden sposób do obracającego się ostrza piły. W przypadku uwięźnięcia, z powodu użycia ograniczników długości, odcięty element może zaklinować się przy ostrzu i zostać gwałtownie wyrzucony w powietrze.

o. Zawsze używać zacisku lub uchwytu zaprojektowanego do prawidłowego podparcia okrągłego materiału, takiego jak pręty lub rury. Pręty mają tendencję do obracania się podczas cięcia, co powoduje wbijanie się zębów ostrza w materiał i przeciąganie przedmiotu oraz ręki operatora w stronę ostrza.

p. Należy poczekać na osiągnięcie pełnej prędkości ostrza przed zetknięciem go z obrabianym przedmiotem. Zmniejszy to ryzyko wyrzucenia obrabianego przedmiotu w powietrze.

q. Jeśli obrabiany przedmiot lub ostrze ulegnie zakleszczeniu, wyłączyć piłę ukosową. Poczekać, aż wszystkie ruchome części zatrzymają się i odłączyć wtyczkę od źródła zasilania i/lub wyjąć akumulator. Następnie spróbować uwolnić zacięty materiał. Dalsze piłowanie z zakleszczonym przedmiotem może spowodować utratę kontroli lub uszkodzenie piły ukosowej.

r. Przed wyjęciem odcinanego elementu po zakończeniu cięcia zwolnić prze-

łącznik, przytrzymać głowicę piły w dół i poczekać, aż ostrze zatrzyma się. Sięganie ręką w pobliże ostrza obracającego się siłą bezwładności jest niebezpieczne.

5. Przed pierwszym użyciem

Wyjąć urządzenie oraz wszystkie akcesoria z opakowania. Materiały opakowaniowe należy przechowywać poza zasięgiem małych dzieci. Występuje zagrożenie uduszeniem!

6. Zawartość opakowania

1x bezprzewodowa piła ukosowa z funkcją przesuwu

1x worek na pył

1x ostrze 216 mm z 48 zębami (zamontowane)

2x zestawy szyn przedłużających

1x instrukcja obsługi

7. Przeznaczenie

Piła ukosowa przeznaczona jest do wykonywania prostych cięć w drewnie, bez konieczności podłączania do zasilania sieciowego. Umożliwia cięcie pod kątem od -45° do $+45^\circ$ oraz wykonywanie cięć ukosowych pod kątem od 0° do 45° . Piła ukosowa charakteryzuje się wystarczającą wydajnością do cięcia twardego i miękkiego drewna.

8. Instrukcja montażu i regulacji

8.1 Montaż

Umieścić wsporniki obrabianego przedmiotu (**7**) w otworach po obu stronach piły ukosowej. Dokręcić śruby blokujące wsporniki obrabianego przedmiotu (**21**), aby zablokować wsporniki na miejscu. Upewnić się, że wsporniki są poprawnie zamontowane. Piła ukosowa dostarczana jest wraz z ostrzem tnącym.

8.2 Obsługa

Piła ukosowa musi być przymocowana do stołu warsztatowego lub stołu piły. Sprawdzić, czy wszystkie osłony i urządzenia zabezpieczające zostały prawidłowo zamontowane i działają.

Sprawdzić, czy głowica piły nie jest zablokowana i może się swobodnie poruszać.

Jeżeli głowica nie porusza się, poluzować

śrubę blokady przesuwu (19) oraz zwolnicę kołek blokady głowicy (18). Przed umieszczeniem akumulatora (13) upewnić się, że ostrze piły (3) porusza się swobodnie.

8.3 Odprowadzenie pyłu

Worek na pył lub odpowiedni system odprowadzania pyłu należy podłączyć do portu odprowadzania pyłu (11).

8.4 Umieszczanie i wyjmowanie akumulatora

Ostrzeżenie: Przed włożeniem lub wyjęciem akumulatora upewnić się, że piła ukosowa jest wyłączona.

Należy pamiętać, że piła będzie działać poprawnie tylko z akumulatorem 4,0 Ah.

Wsunąć akumulator do gniazda akumulatora – z tyłu głowicy piły. Aby włożyć akumulator, wyrównać akumulator z podstawą akumulatora znajdującą się z tyłu głowicy piły i wsunąć akumulator do piły tak, aby został zablokowany na miejscu.

Aby wyjąć akumulator, nacisnąć przycisk zwalniający akumulator i jednocześnie wyciągnąć akumulator.

8.5 Wiązka lasera

Ostrzeżenie! Promieniowanie laserowe!

Przestrzegać wskazówek bezpieczeństwa! Urządzenie laserowe klasy 2. Wiązka laserowa wykorzystywana jest do wskazywania pozycji cięcia na obrabianym przedmiocie. Laser można włączyć lub wyłączyć za pomocą przełącznika (14) znajdującego się na wierzchu korpusu piły.

8.6 Światło robocze LED

Aby zapewnić dodatkowe oświetlenie obrabianego przedmiotu, piła posiada wbudowaną lampkę roboczą LED. Można ją włączyć lub wyłączyć za pomocą przełącznika (15) znajdującego się na wierzchu korpusu piły.

8.7 Ustawianie kąta cięcia

Ostrzeżenie! Przed dokonaniem jakichkolwiek zmian w ustawieniach sprawdzić, czy akumulator został wyjęty, aby zapobiec przypadkowemu uruchomieniu.

Po ustawieniu kątów zawsze wykonać cięcie próbne.

8.8 Ustawianie kąta skosu

Kąt skosu jest regulowany bezstopniowo w lewo/prawo, w zakresie od 0° do 45°. Aby ustawić kąt skosu, poluzować pokrętko blokady ustawienia skosu (5). Obrócić stół i ustawić żądany kąt skosu za pomocą skali wskaźnika kąta skosu (23). Dokręcić pokrętko blokady ustawienia skosu (5).

8.9 Ustawianie kąta ukosu

Kąt ukosu jest regulowany bezstopniowo, w zakresie od 0° do 45°. Aby ustawić kąt ukosu, poluzować pokrętko blokady ustawienia ukosu (9). Wychylić głowicę piły i ustawić żądany kąt ukosu za pomocą skali wskaźnika kąta ukosu (8). Dokręcić pokrętko blokady ustawienia ukosu (9).

8.10 Ustawianie głębokości cięcia

W razie potrzeby można ustawić głębokość cięcia. W tym celu należy ustawić przesuwaną blokadę w położenie przednie, aby śruba regulacji głębokości cięcia (12) zetknęła się z nią, gdy głowica piły jest dociśnięta do dołu. Poluzować nakrętkę blokującą na śrubie regulacji głębokości cięcia (12). Ostrożnie opuścić głowicę piły, aby ustawić żądaną głębokość cięcia. Śrubę wykręcić lub wkręcić, aby uzyskać żądaną głębokość cięcia. Dokręcić nakrętkę blokującą na śrubie regulacji głębokości cięcia (12).

9. Sposób użycia

9.1 Cięcie

Upewnić się, że akumulator 4,0 Ah jest naładowany i poprawnie umieszczony.

Przymocować obrabiany przedmiot za pomocą zacisku (4). Zachować ostrożność i nie zbliżać się do obracającego się ostrza piły. Upewnić się, że ostrze nie zetknie się z żadną prowadnicą i w razie potrzeby wyregulować prowadnice.

Jeśli planowane jest cięcie zakrzywionego przedmiotu, należy upewnić się, że obrabiany przedmiot nie jest wygięty w stosunku do prowadnicy. (patrz **Rys. C.**) Upewnić się, że pomiędzy obrabianym przedmiotem, prowadnicą i płytą podstawy nie ma wolnej przestrzeni.

Długie elementy muszą być odpowiednio podparte, np. na podporze wyposażonej w

rolki. Unikać trzymania lub prowadzenia obrabianych przedmiotów w sposób, który zagraża równowadze operatora.

Aby rozpocząć cięcie, nacisnąć jedną z zapadek bezpieczeństwa (16) i użyć włącznika (17). Poczekać na osiągnięcie przez ostrze pełnej prędkości i ostrożnie docisnąć głowicę piły. Gdy maszyna osiągnie pełną prędkość, korzystając z uchwytu nacisnąć górną część piły. Jeśli to możliwe, przecinać obrabiany przedmiot jednym, równomiernym ruchem. Przedmioty o nieregularnych kształtach mogą spowodować nieoczekiwane odbicie górnej części, dlatego należy mocno trzymać uchwyt. Aby zatrzymać piłę, zwolnić włącznik zasilania (17).

9.2 Cięcie kombinowane

Cięcie kombinowane można wykonać wybierając odpowiednią kombinację ustawień skosu, ukosu i głębokości cięcia.

9.3 Cięcie opuszczane

Ostrzeżenie! Przed rozpoczęciem cięcia upewnić się, że obrabiany przedmiot jest dobrze przymocowany do płyty podstawy i opiera się o tylną prowadnicę (20).

Cięcie tego typu stosuje się w przypadku, gdy szerokość obrabianego przedmiotu jest mniejsza niż szerokość cięcia ostrza ustawionego w skrajnym tylnym położeniu.

Pchnąć głowicę piły do oporu do tyłu, do prowadnicy (20), i dokręcić śrubę blokady przesuwu (19).

Włączyć piłę i poczekać, aż tarcza osiągnie pełną prędkość. Ostrożnie opuszczać głowicę piły w kierunku obrabianego przedmiotu, aż do wykonania cięcia. Nie używać siły. Po zakończeniu cięcia wyłączyć piłę.

9.4 Cięcie przesuwne

Ostrzeżenie! Przed rozpoczęciem cięcia upewnić się, że obrabiany przedmiot jest dobrze przymocowany zaciskiem lub dociśnięty do stołu obrotowego (22) i opiera się o tylną prowadnicę (20).

Ostrzeżenie! Odkształcony lub nieregularny przedmiot może spowodować zakleszczenie ostrza podczas cięcia i spowodować odbicie. Sprawdzić, czy obrabiany przedmiot jest zawsze równomiernie oparty o tylną prowadnicę (20).

Cięcie tego typu stosuje się w przypadku, gdy szerokość obrabianego przedmiotu jest większa niż szerokość cięcia ostrza ustawionego w skrajnym tylnym położeniu.

Sprawdzić, czy piła znajduje się w skrajnym tylnym położeniu i upewnić się, że śruba blokady przesuwu (19) nie jest dokręcona. Gdy głowica piły jest uniesiona do góry, wyciągnąć głowicę piły, aby odsunąć ją od obrabianego przedmiotu.

Włączyć piłę i poczekać, aż tarcza osiągnie pełną prędkość. Ostrożnie opuszczać głowicę piły w kierunku obrabianego przedmiotu, aż do wykonania cięcia o odpowiedniej głębokości. Nie używać siły. Po osiągnięciu odpowiedniej głębokości cięcia przytrzymać głowicę piły na uzyskanej głębokości i pchnąć piłę w kierunku skrajnego, tylnego położenia, aby dokończyć cięcie. Nie używać siły. Po zakończeniu cięcia wyłączyć piłę.

9.5 Wymiana ostrza piły

Ostrzeżenie! Przed wymianą ostrza zawsze wyjąć akumulator. Używać wyłącznie tarcz o prędkości znamionowej 4200 obr./min lub większej. Upewnić się, że średnica wrzeciona i otwór brzeszczotu pasują do siebie. Używać wyłącznie ostrych i nieuszkodzonych tarcz. Pęknięte lub wygięte ostrza należy natychmiast wymienić.

Ostrzeżenie! Nawet używane ostrza są ostre. Podczas manipulowania nimi istnieje ryzyko skaleczeń. Ostrożnie obchodzić się z ostrzami.

Upewnić się, że akumulator został wyjęty. Ustawić głowicę maszyny w najwyższym położeniu. Ręcznie cofnąć dolną osłonę, aby odsłonić tarczę. Nacisnąć i przytrzymać przycisk blokady wrzeciona (25), równocześnie obracając ostrze ręką do momentu zadziałania przycisku blokady wrzeciona.

Trzymając wciśniętą blokadę wrzeciona, umieścić dostarczony klucz inbusowy na śrubie wrzeciona. Poluzować i wyjąć śrubę wrzeciona, obracając ją zgodnie z ruchem wskazówek zegara. Ręcznie otworzyć osłonę ostrza i zdjąć kołnierz zewnętrzny, stare ostrze i kołnierz wewnętrzny.

Wyczyścić kołnierze kawałkiem szmatki. Zamontować wewnętrzny kołnierz. Zamontować nowe ostrze, dopasowując położenie strzałki kierunku na tarczy do strzałki na obudowie. Zamontować zewnętrzny kołnierz, włożyć śrubę wrzeciona i dokręcić palcami.

Nacisnąć i przytrzymać przycisk blokady wrzeciona, równocześnie obracając ostrze ręką do momentu zadziałania przycisku blokady wrzeciona. Dokręcić śrubę wrzeciona za pomocą dostarczonego klucza sześciokątnego, obracając go w lewo. Sprawdzić działanie wszystkich osłon i upewnić się, że tarcza piły jest dokręcona i pracuje swobodnie i prawidłowo.

9.6 Uchwyt do przenoszenia

Piła została wyposażona w uchwyt do przenoszenia (10). Przenosząc piłę, należy zablokować głowicę piły w dolnym położeniu za pomocą kołka blokady (18).

10. Czyszczenie i konserwacja

10.1 Czyszczenie

- W miarę możliwości należy chronić wszystkie rozwiązania zabezpieczające, otwory wentylacyjne i obudowę silnika przed zanieczyszczeniami i pyłem. Wytrzeć elektronarzędzie czystą ściereczką lub przedmuchać sprężonym powietrzem o niskim ciśnieniu.
- Zalecamy czyszczenie narzędzia z napędem elektrycznym natychmiast po każdym użyciu.
- Regularnie czyścić elektronarzędzie wilgotną szmatką i niewielką ilością delikatnego mydła. Nie stosować środków czyszczących lub rozpuszczalników; mogą one spowodować uszkodzenie plastikowych części urządzenia. Nie dopuścić, by do wnętrza elektronarzędzia przedostała się woda.
- Przed wykonaniem jakiegokolwiek czynności konserwacji lub czyszczenia należy zdemontować akumulator.

10.2 Konserwacja

W urządzeniu nie ma elementów wewnętrznych wymagających konserwacji.

11. Dane techniczne

Napięcie akumulatora:	... litowo-jonowy 18 V
Prędkość obrotowa na biegu jałowym:	... 4200 min ⁻¹
Kąt skosu:	... 0–45°
Kąt ukosu:	... 0–45°
Wymiary tarcz piły:	... Ø 216 × 1,5 mm, ... otwór centralny 30 mm
Zdolność cięcia:	... 0°/0°: 62 × 305 mm ... 0°/45°: 62 × 210 mm ... 45°/0°: 30 × 305 mm ... 45°/45°: 30 × 210 mm
Ciężar (bez akumulatora):	... 12,8 kg
Poziom ciśnienia akustycznego skorygowany charakterystyką A (L _{PA}):	... 86,2 dB(A)
Niepewność K _{PA} :	... 3 dB(A)
Poziom mocy akustycznej skorygowany charakterystyką A (L _{WA}):	... 98,1 dB(A)
Niepewność K _{WA} :	... 3 dB(A)

12. Utylizacja



Nie należy utylizować elektronarzędzi z odpadami domowymi.

Narzędzie z napędem elektrycznym jest dostarczane w opakowaniu celem zredukowania uszkodzeń w czasie transportu. Opakowanie jest surowcem i jako takie może zostać ponownie użyte lub ponownie przetworzone. Narzędzie z napędem elektrycznym i jego akcesoria wykonane są z różnych materiałów, takich jak metale i tworzywa sztuczne. Uszkodzone elementy należy przekazać do specjalnych punktów gromadzenia odpadów. Informacje o nich można uzyskać w sklepie lub u władz lokalnych.

12.1 Akumulatory

Podczas utylizacji akumulatorów brać pod uwagę środowisko naturalne. Aby uzyskać informacje na temat najbliższego punktu zbiórki odpadów, należy skontaktować się z jednostką władz samorządowych. Nie należy utylizować akumulatorów z odpadami domowymi. Nie należy utylizować akumulatorów przez spalanie, może to prowadzić do wybuchu.

13. Deklaracja zgodności z wymogami UE

Firma **Batavia B.V., Weth. Wassebaliestraat 6d, NL-7951 SN Staphorst**, oświadcza na własną odpowiedzialność, że produkt **beprzewodowa piła ukosowa, pozycja nr 7063453, nr modelu BT-CMS001** jest zgodny z podstawowymi wymaganiami, które zostały określone w dyrektywach Parlamentu Europejskiego i Rady: dotyczącej **kompatybilności elektromagnetycznej 2014/30/UE (EMC), 2006/42/WE (maszynowej), RoHS: 2011/65/UE** oraz poprawkach do nich. W celu oceny zgodności zastosowane zostały następujące normy zharmonizowane:

EN 62841-1:2015+AC

EN 62841-3-9:2015+AC

AfPS GS 2019:01

EN 55014-1:2006+A1+A2

EN 55014-2:1997+AC+A1+A2

Staphorst, 7 lipca 2021 r.



Meino Seinen, Przedstawiciel ds. QA
Batavia B.V., Weth. Wassebaliestraat 6d,
7951 SN Staphorst, Holandia

Produkt i instrukcja obsługi mogą ulec zmianie. Dane techniczne mogą zostać zmienione bez wcześniejszego powiadomienia.



ONE BATTERY FOR 30+ TOOLS

MAXXPACK 18 V
18 V Cordless collection

30+
TOOLS



BATAVIA

2 YEAR WARRANTY

This product has got a 2 year warranty

Dear Client, if for any reason this product is not working, please ensure you contact our [Client Service Centre](#). Ensure you have your original receipt of purchase. This warranty covers all defects in workmanship or materials in this Batavia product for a two year period from the date of purchase. The warranty does not cover any malfunction, or defect resulting from misuse, neglect, alteration, or repair.

Dieses Produkt hat 2 Jahre Garantie

Sehr geehrter Kunde, unsere Produkte unterliegen einer strengen Qualitätskontrolle. Sollte dieses Gerät nicht einwandfrei sein, so wenden Sie sich bitte immer zuerst an unseren [Kundenservice](#). Bitte bewahren Sie unbedingt den Kaufbeleg auf. Die Garantieleistung gilt nur für Material- oder Fabrikationsfehler. Ausgeschlossen sind Mängel die durch häufigen Gebrauch, missbräuchlicher und unsachgemäßer Behandlung oder Gewalteneinwirkung verursacht worden sind.

Ce produit a 2 ans de garantie

Cher client, Si pour une raison quelconque, ce produit ne fonctionne pas, veuillez contacter notre [Centre de service après-vente](#). Conservez le bon d'achat original. Cette garantie couvre tous les défauts de matériau et de main d'œuvre constatés sur ce produit Batavia pendant une période de deux ans à compter de la date d'achat. Les défauts de fonctionnement et autres résultant d'abus ou de mauvais emploi, de négligence, de modifications ou réparations non autorisées sont exclus de la garantie.

Dit product heeft 2 jaar garantie

Geachte klant, onze producten ondergaan een streng kwaliteitscontrole proces. Wanneer dit product niet correct functioneert, wend u zich alstublieft altijd eerst tot onze [klantenservice](#). Bewaar altijd uw aankoopbewijs. De garantieservice is alleen van toepassing op materiaal- of productiefouten. Uitgesloten zijn gebreken veroorzaakt door intensief gebruik, misbruik en incorrecte behandeling of extern geweld.

Questo prodotto è garantito per 2 anni

Gentile Cliente, se per una qualche ragione il prodotto non funziona, La invitiamo a mettersi in contatto con il nostro [Centro Assistenza Clienti](#). Si accerti di avere la ricevuta originale dell'acquisto. La garanzia copre tutti i difetti di fabbricazione o di materiale in questo prodotto Batavia per un periodo di 2 anni dalla data di acquisto. La garanzia non copre malfunzionamenti o difetti derivanti da uso inappropriato, improprio, da modifiche o riparazioni.

Este producto tiene dos años de garantía

Estimado cliente: si por cualquier razón este producto no funciona, póngase en contacto con nuestro [Centro de Atención al Cliente](#). Asegúrese de tener a mano la factura de compra original. Esta garantía cubre todos los defectos de mano de obra o materiales de este producto de Batavia por un periodo de dos años a partir de la fecha de compra. La garantía no cubre ningún mal funcionamiento o defectos resultantes del mal uso, negligencia, alteración o reparación.


Este produto tem uma garantia de 2 anos

Estimado Cliente, se, por qualquer motivo, este produto não estiver a funcionar devidamente, contacte o nosso [Centro de Apoio ao Cliente](#). Certifique-se de que possui a prova de compra original. Esta garantia cobre todos os defeitos de fabrico ou materiais do produto Batavia durante um período de dois anos, a contar da data de compra. A garantia não cobre quaisquer avarias ou defeitos resultantes de um uso indevido, negligência, modificações ou reparações.

Produkt posiada 2-letnią gwarancję.

Szanowny Kliencie! Jeśli z jakiegokolwiek powodu niniejszy produkt nie działa, prosimy skontaktować się z naszym [Centrum Obsługi Serwisowej](#). Upewnij się, że posiadasz oryginalny dowód zakupu. Niniejsza gwarancja obejmuje wszystkie wady produkcyjne i materiałowe w produktach Batavia przez okres dwóch lat od daty zakupu. Gwarancja nie obejmuje żadnych usterek lub uszkodzeń wynikających z nieprawidłowego użycia, zaniedbania, modyfikacji lub naprawy.

Deutschland – Kundenservice – Montag bis Freitag von 9 bis 17 Uhr

 **01805 937 832***

**Other European countries – Customer Services /
Autres pays d'Europe – Service clientèle /
Overige landen Europa – Klantenservice**

Monday till Friday from 8 am until 4 pm / Lundi jusqu'à Vendredi
de 9 – 17 heure / Maandag t/m vrijdag van 9 tot 17 uur

 **00800 664 774 00**



*Nur €0,14 /Minute aus dem dt. Festnetz,
max. €0,42/Minute aus den Mobilfunknetzen

**Model: BT-CMS001
Item-No.: 7063453
www.batavia.eu | info@batavia.eu**

7063453/2